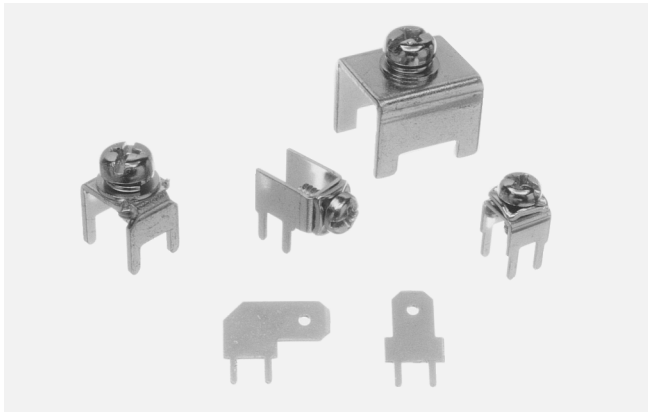




# SERIES TX20



## Terminal Block PCB Terminal

### Specifications

**Material:**

Terminal: Brass 0.8t tin plated

Screw: Steel, nickel plated

**Electrical:**

Current rating: 16 Amps max

### Ordering Information

**TX20-A**

1

1. **Configuration**

A = #6 - 32 vertical

B = #6 - 32 right angle

C = M5 vertical

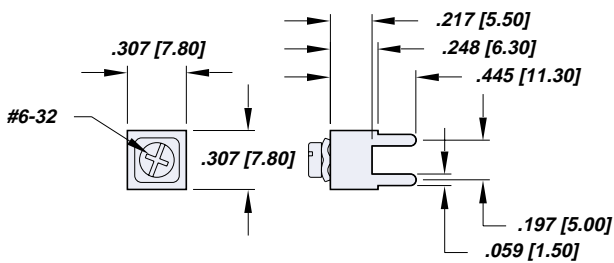
D = M6 vertical

E = Vertical spade lug

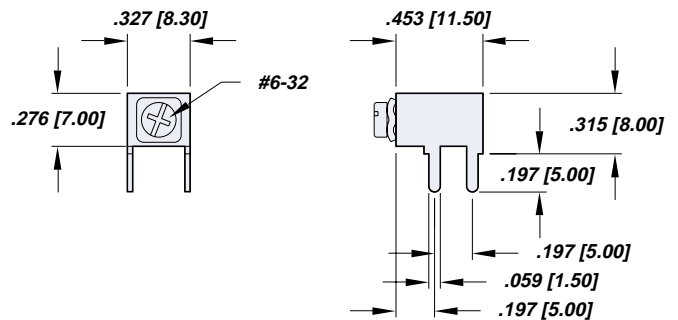
F = Right angle spade lug

TERMINAL BLOCKS

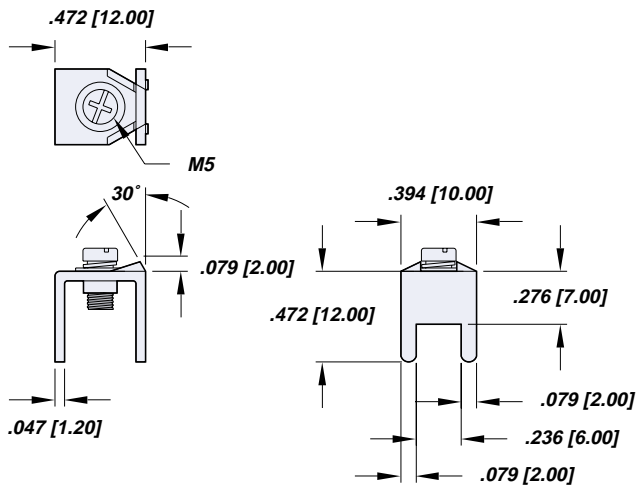
TX20-A



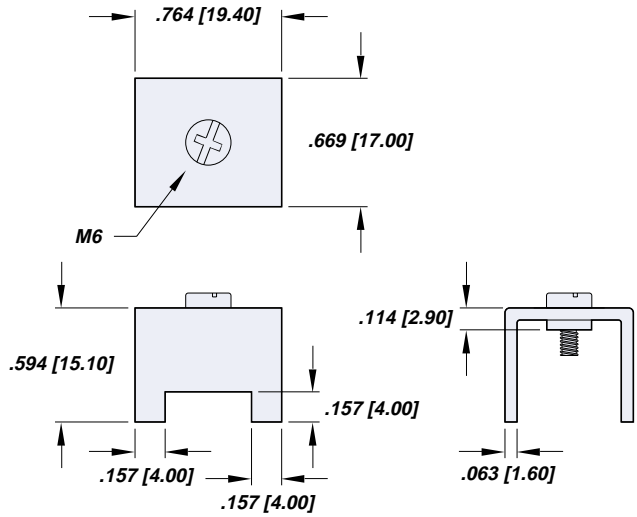
TX20-B



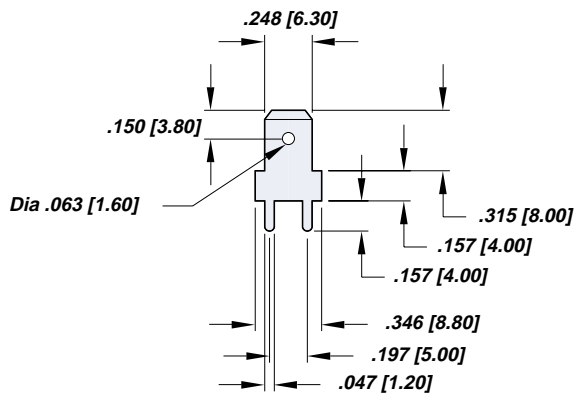
**TX20-C**



**TX20-D**



**TX20-E**



**TX20-F**

