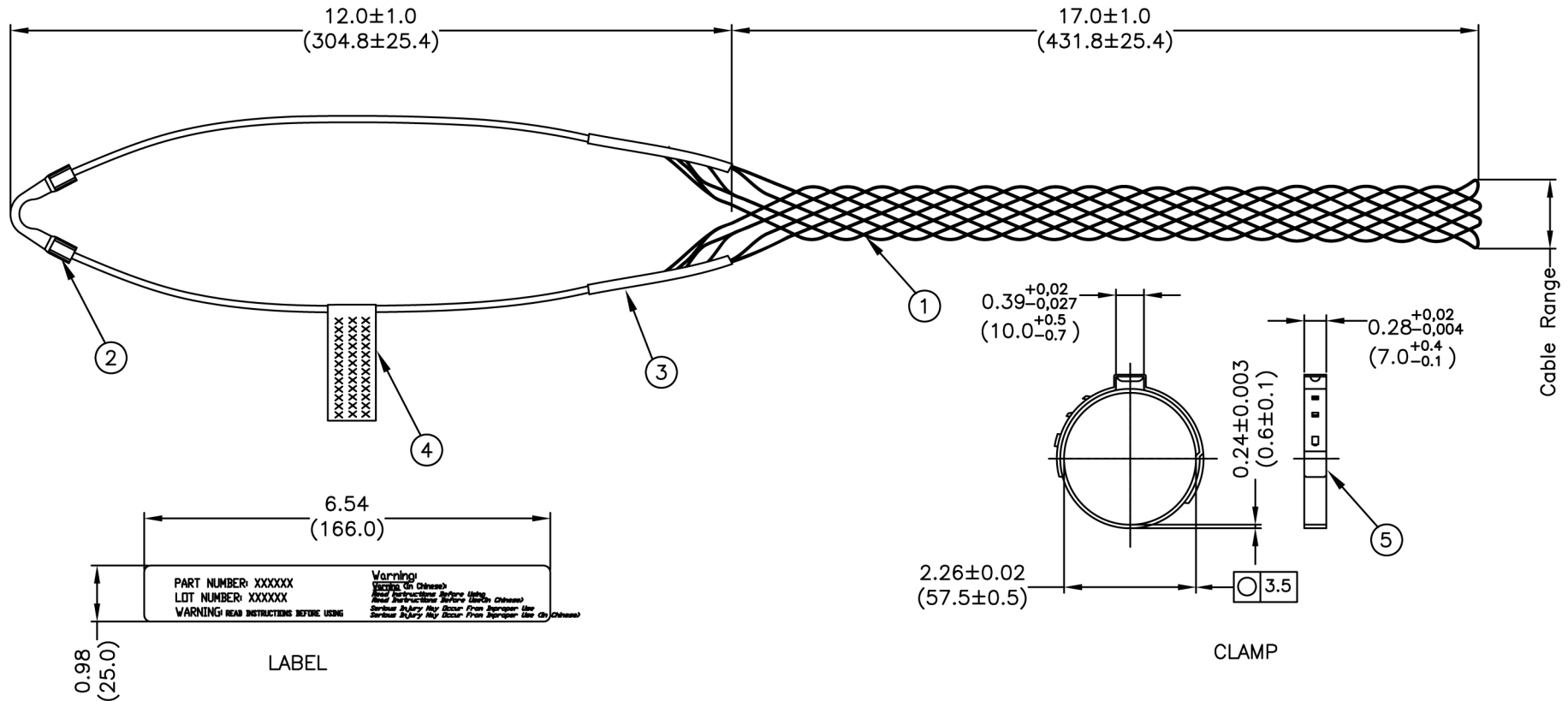


SPECIFICATIONS:

Cable Range: 1.75"–2.10" (44.45–53.34)
 Cable Clamp Range: 2.14"–2.26" (54.3–57.5)
 Salt Spray: 48 Hours
 Approximate Breaking Strength: 1610 Lbs

REVISIONS LIST				
REV	ECO #	DESCRIPTION	DATE	APV'D
A		Initial Release		



NOTES:

All Measurements Are In Inches (mm)
 All Lengths Are Measured With A 1.93" (48.9) Rod Inside.

No.	Name	Material/Finish	Remarks
1	Wire	304 Stainless Steel	1X7X1.5mm
2	Hanger	Aluminum	
3	Tubing	PVC	
4	Label	Resin Film	
5	Clamp	304 Stainless Steel	

UNLESS NOTED TOLERANCES ARE: .X ± 0.15 (0.38) .XX ± 0.10 (0.25) ANGLES ± 1°	THIRD ANGLE PROJECTION 	1170 S. PATTON ST. XENIA, OHIO 45385 PH: (937) 374-2700 FX: (937) 374-2717
UNIT: In (mm) SCALE: NTS SHEET: 1 OF 1	DRWN: RLM DATE: 07/08/11 CHK'D: RLM APV'D: RLM	TITLE Hoisting/Support Cord Grip (Pre-Laced) SPI P / N : HG10-6SS2 CUSTOMER P / N :

REV: A