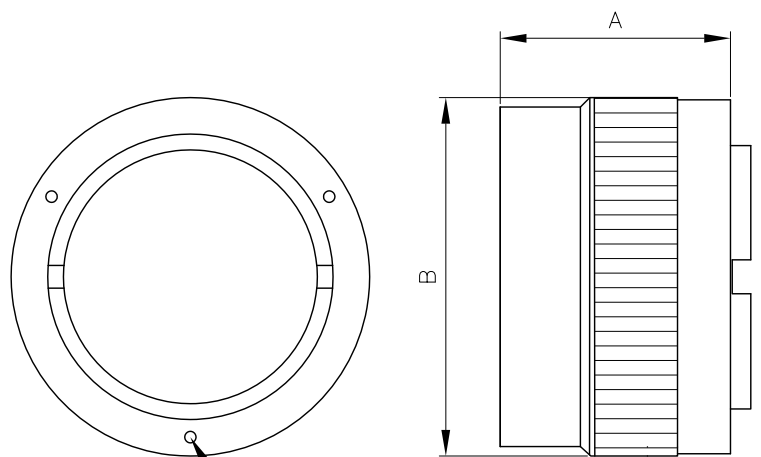


REVISIONS LIST				
REV	ECO #	DESCRIPTION	DATE	APV'D
A		Initial Release		

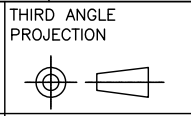


"-" CONFIGURATION ONLY  
3 EQUALLY SPACED SAFETY WIRE HOLES

Dash Number	S Configuration		- Configuration	
	A Max	B Max	A Max	B Max
8	14.98	21.82	13.71	19.10
10	14.98	24.99	13.71	21.60
12	14.98	29.36	13.71	25.40
14	14.98	32.54	13.71	27.90
16	14.98	35.71	13.71	31.80
18	14.98	38.51	13.71	35.60
20	14.98	41.68	13.71	38.10
22	14.98	44.86	13.71	41.90
24	14.98	48.03	13.71	44.50

No.	Name	Material/Finish	Remarks
1	Shell	Aluminum	
2	Fastners	Stainless Steel	Passivated

UNLESS NOTED  
TOLERANCES ARE:  
.X ± 0.38  
.XX ± 0.25  
ANGLES ± 1°



1170 S. PATTON ST.  
XENIA, OHIO 45385  
PH: (937) 374-2700  
FX: (937) 374-2717

UNIT: mm	DRWN: RLM	THESE DRAWINGS AND SPECIFICATIONS ARE THE PROPERTY OF SPI AND SHALL NOT BE COPIED, USED OR RE-PRODUCED WITHOUT PERMISSION.	TITLE	
SCALE: NTS	DATE: 10/23/20		Military Back Shell	
	CHK'D: TRH		S P I P / N : M85049/27XXX	
SHEET: 1 OF 1	APV'D: TRH		RE V : A	
		CUSTOMER P / N :		