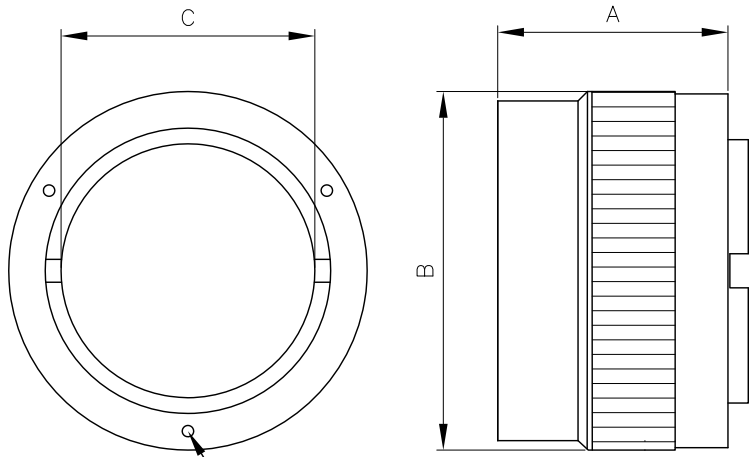


| REVISIONS LIST |       |                 |      |       |
|----------------|-------|-----------------|------|-------|
| REV            | ECO # | DESCRIPTION     | DATE | APV'D |
| A              |       | Initial Release |      |       |

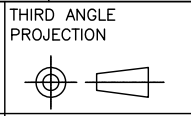


"-" CONFIGURATION ONLY  
3 EQUALLY SPACED SAFETY WIRE HOLES

| Dash Number | S Configuration |       |       | - Configuration |       |       |
|-------------|-----------------|-------|-------|-----------------|-------|-------|
|             | A Max           | B Max | C Max | A Max           | B Max | C Max |
| 8           | 18.03           | 22.48 | 6.86  | 13.72           | 15.67 | 6.86  |
| 10          | 18.03           | 25.65 | 9.53  | 13.72           | 18.64 | 9.53  |
| 12          | 18.03           | 28.83 | 12.98 | 13.72           | 21.79 | 12.98 |
| 14          | 18.03           | 32.00 | 14.86 | 13.72           | 24.99 | 14.86 |
| 16          | 18.03           | 35.18 | 18.03 | 13.72           | 28.24 | 18.03 |
| 18          | 18.03           | 38.35 | 20.05 | 13.72           | 30.94 | 20.05 |
| 20          | 18.03           | 41.53 | 23.22 | 13.72           | 34.16 | 23.22 |
| 22          | 18.03           | 44.70 | 26.39 | 13.72           | 37.29 | 26.39 |
| 24          | 18.03           | 47.88 | 29.31 | 13.72           | 40.46 | 29.31 |

| No. | Name     | Material/Finish | Remarks    |
|-----|----------|-----------------|------------|
| 1   | Shell    | Aluminum        |            |
| 2   | Fastners | Stainless Steel | Passivated |

UNLESS NOTED TOLERANCES ARE:  
.X ± 0.38  
.XX ± 0.25  
ANGLES ± 1°



1170 S. PATTON ST.  
XENIA, OHIO 45385  
PH: (937) 374-2700  
FX: (937) 374-2717

|               |                |  |                          |        |
|---------------|----------------|--|--------------------------|--------|
| UNIT: mm      | DRWN: RLM      | THESE DRAWINGS AND SPECIFICATIONS ARE THE PROPERTY OF SPI AND SHALL NOT BE COPIED, USED OR RE-PRODUCED WITHOUT PERMISSION. | TITLE                    |        |
| SCALE: NTS    | DATE: 11/17/20 |  | Military Back Shell      |        |
|               | CHK'D: TRH     |  | SPI P / N : M85049/31XXX | REV: A |
| SHEET: 1 OF 1 | APV'D: TRH     |  | CUSTOMER P / N :         |        |