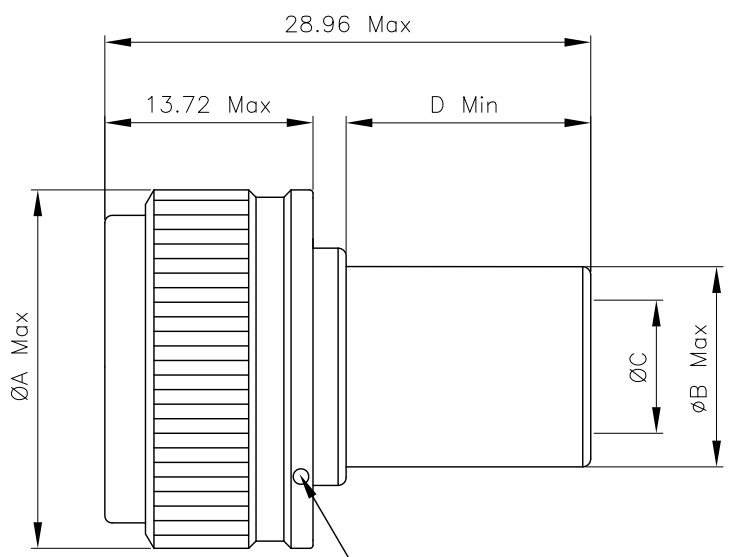


| REVISIONS LIST | | | | |
|----------------|-------|-----------------|------|-------|
| REV | ECO # | DESCRIPTION | DATE | APV'D |
| A | | Initial Release | | |



3 EQUALLY SPACED 0.51 MAX SAFETY WIRE HOLES

| Dash Number | ØA Max | ØB ±0.25 | ØC ±0.38 | D Min | M85049/26-2 Ring Shield Crimp (Ref) |
|-------------|--------|----------|----------|-------|-------------------------------------|
| 08 | 19.05 | 8.56 | 6.35 | 7.24 | -8 |
| 10 | 21.59 | 12.40 | 8.26 | 12.07 | -10 |
| 12 | 25.40 | 12.70 | 10.67 | 12.07 | -12 |
| 14 | 27.94 | 15.75 | 13.72 | 12.07 | -14 |
| 16 | 31.75 | 19.05 | 17.02 | 12.07 | -16 |
| 18 | 35.56 | 22.35 | 20.04 | 12.07 | -18 |
| 20 | 38.10 | 25.40 | 23.22 | 12.07 | -20 |
| 22 | 41.91 | 28.45 | 26.39 | 12.07 | -22 |
| 24 | 44.45 | 30.28 | 28.24 | 12.07 | -24 |

Note: If a crimp ring shield is necessary order M85049/26-2-X using the above reference for the proper shell size

| No. | Name | Material/Finish | Remarks |
|-----|----------|-----------------|------------|
| 1 | Shell | Aluminum | |
| 2 | Fastners | Stainless Steel | Passivated |

| | | |
|--|----------------------------|---|
| UNLESS NOTED TOLERANCES ARE: .X ± 0.38 .XX ± 0.25 ANGLES ± 1° | THIRD ANGLE PROJECTION | 1170 S. PATTON ST. XENIA, OHIO 45385 PH: (937) 374-2700 FX: (937) 374-2717 |
|--|----------------------------|---|

| | | | | |
|---------------|----------------|--|------------------------------|--|
| UNIT: mm | DRWN: RLM | THESE DRAWINGS AND SPECIFICATIONS ARE THE PROPERTY OF SPI AND SHALL NOT BE COPIED, USED OR RE-PRODUCED WITHOUT PERMISSION. | TITLE Military Back Shell | |
| SCALE: NTS | DATE: 11/18/20 | | SPI P / N : M85049/33-2-XXX | |
| | CHK'D: TRH | | REV: A | |
| SHEET: 1 OF 1 | APV'D: TRH | | CUSTOMER P / N : | |