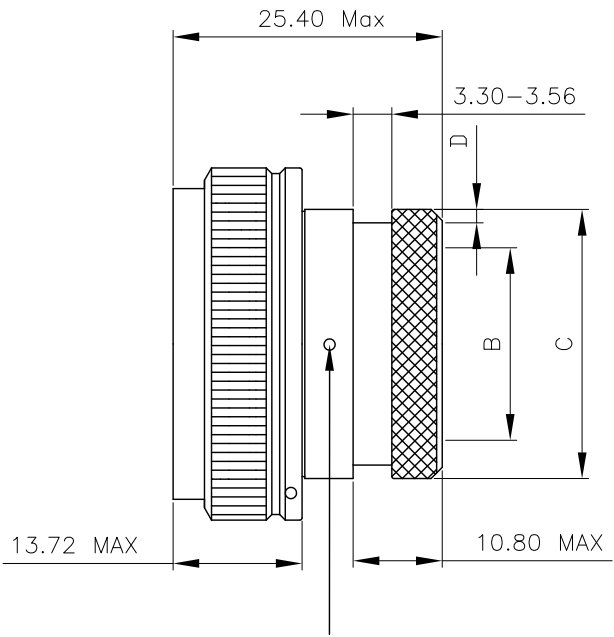
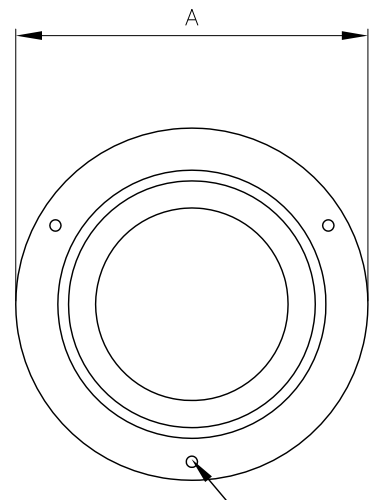


REVISIONS LIST				
REV	ECO #	DESCRIPTION	DATE	APV'D
A		Initial Release		



4 EQUALLY SPACED 3.18 DRAIN HOLES
OPTIONAL DRAIN HOLE "D"

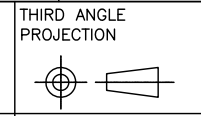


3 EQUALLY SPACED 0.51
MAX SAFETY WIRE HOLES

Dash Number	A	B	C	D
	Max	Min	Max	+0.20 / 0.0
08	19.05	6.35	13.54	1.12
10	21.59	9.53	15.37	1.12
12	25.40	12.70	19.66	1.12
14	27.94	15.88	21.29	1.12
16	31.75	19.05	24.46	1.12
18	35.56	20.62	26.47	1.12
20	38.10	23.80	30.91	1.75
22	41.91	26.97	34.42	1.75
24	44.45	30.18	36.65	1.75

No.	Name	Material/Finish	Remarks
1	Shell	Aluminum	
2	Fastners	Stainless Steel	Passivated

UNLESS NOTED
TOLERANCES ARE:
.X ± 0.38
.XX ± 0.25
ANGLES ± 1°



1170 S. PATTON ST.
XENIA, OHIO 45385
PH: (937) 374-2700
FX: (937) 374-2717

UNIT: mm	DRWN: RLM	THESE DRAWINGS AND SPECIFICATIONS ARE THE PROPERTY OF SPI AND SHALL NOT BE COPIED, USED OR RE-PRODUCED WITHOUT PERMISSION.	TITLE	
SCALE: NTS	DATE: 12/08/20		Military Back Shell	
	CHK'D: TRH		S P I P / N : M85049/62-XXX	
SHEET: 1 OF 1	APV'D: TRH		REV: A	
		CUSTOMER P / N :		