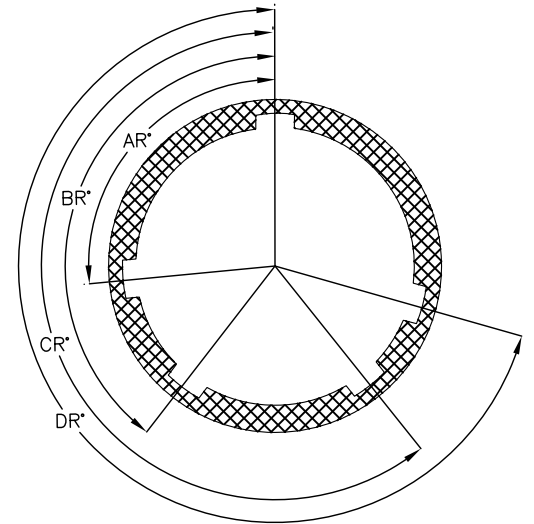




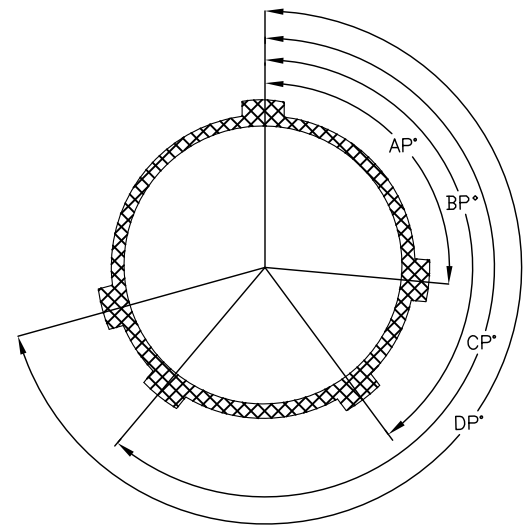
Key/Keyway Polarization



Receptacle

Shell Size	Key & Keyway Polarization Identification Letter	Minor Key/Keyway Rotation			
		AR° or AP°	BR° or BP°	CR° or CP°	DR° or DP°
	N	105	140	215	265
	B	82	132	207	252

For alternate polarization B the main key/keyway remains fixed, and the minor keys/keyways rotate.



Plug