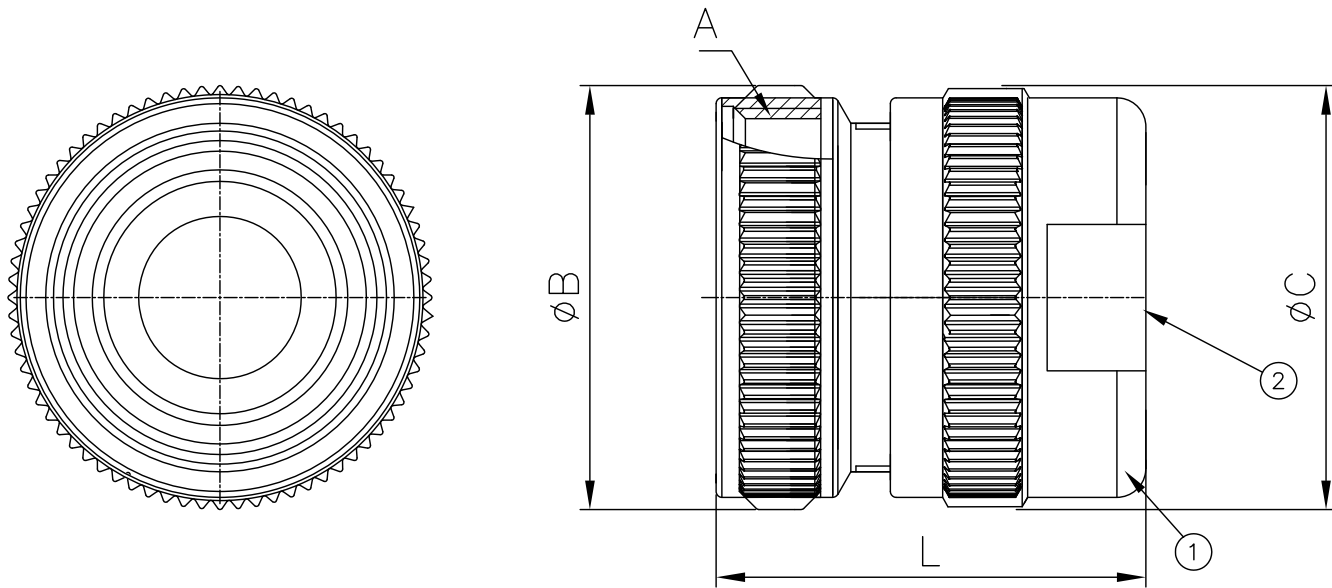


REVISIONS LIST				
REV	ECO #	DESCRIPTION	DATE	APV'D
A		Initial Release		



Shell Size	A Thread (Class: 2B)	L ±5.0	ØB ±0.50	ØC ±0.50	Applicable Wire
10SL (-4)	0.625-24	36.0	18.26	3.2	Ø2-Ø12
14S (-6)	0.750-20	36.0	31.0	31.0	Ø2-Ø12
16S, 16 (-8)	0.875-20	36.0	31.0	31.0	Ø2-Ø12
18 (-10)	1.000-20	36.0	31.0	31.0	Ø2-Ø12
20, 22 (-12)	1.1875-18	36.0	36.5	36.5	Ø6-Ø18
24, 28 (-16)	1.4375-18	40.0	42.5	36.5	Ø6-Ø18

No.	Name	Material/Finish	Remarks
1	Shell	Aluminum	
2	Seal	NBR	

UNLESS NOTED TOLERANCES ARE: .X ± 0.38 .XX ± 0.25 ANGLES ± 1°	THIRD ANGLE PROJECTION 	 1170 S. PATTON ST. XENIA, OHIO 45385 PH: (937) 374-2700 FX: (937) 374-2717
--	----------------------------	---

UNIT: mm	DRWN: RLM	THESE DRAWINGS AND SPECIFICATIONS ARE THE PROPERTY OF AND SHALL NOT BE COPIED, USED OR RE-PRODUCED WITHOUT PERMISSION.	TITLE Commercial 5015 Water Tight Gland Seal	
SCALE: NTS	DATE: 01/11/18		S P I P / N : S-MS3067-XX-XX	
	CHK'D: TRH		REV: A	
SHEET: 1 OF 1	APV'D: TRH		CUSTOMER P / N :	