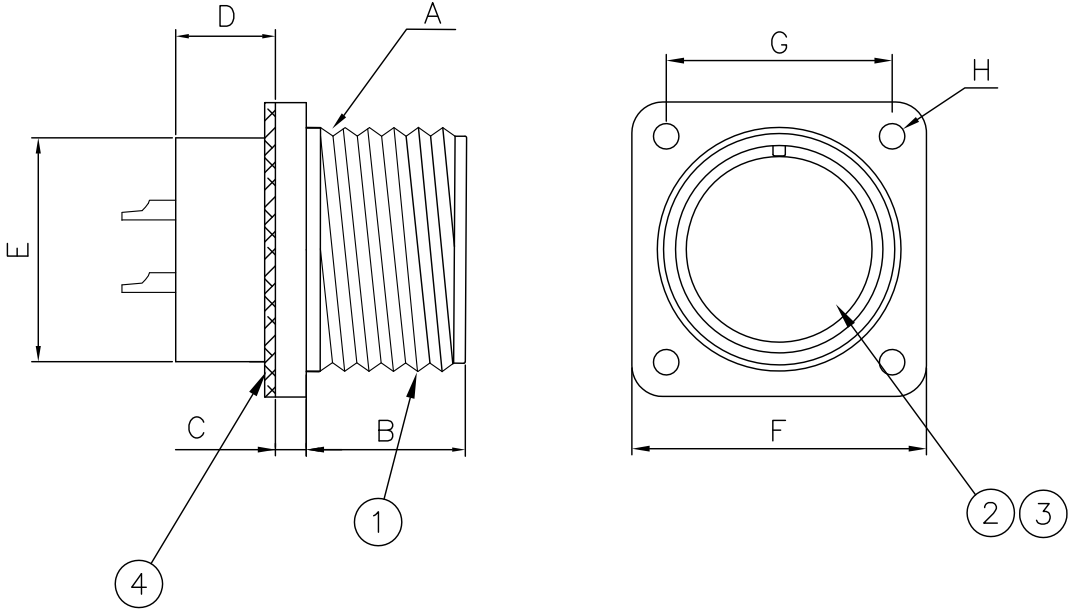


REVISIONS LIST				
REV	ECO #	DESCRIPTION	DATE	APV'D
A		Initial Release		
B		Updated Dimensions	04/17/18	RLM



SPECIFICATIONS (UL Certified Inserts Only)

Mechanical
Durability 500 Cycles

Electrical
Current Rating (Max)
16 Gauge 13.0 A
12 Gauge 23.0 A
8 Gauge 46.0 A
4 Gauge 80.0 A
0 Gauge 150.0 A


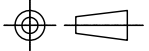
Voltage
Test (rms)
Service Level Inst 1000 VAC
Service Level A 2000 VAC
Service Level B 4500 VAC
Service Level C 7000 VAC
Service Level D 2800 VAC
Service Level E 3500 VAC

Working (VDC/VAC)
Service Level Inst 250/200
Service Level A 700/500
Service Level B 2450/1750
Service Level C 4200/3000
Service Level D 1250/900
Service Level E 1750/1250
Insulation Resistance (@500 VDC) 5000 MΩ

Environmental
Operating Temperature (Max) +125°C
Salt Spray
Electrophoresis Green (Non-Conductive) 96 Hrs
Electroless Nickel (Conductive) 48 Hrs
Vibration (10-500Hz) (3 Axis) 90 Min (No Damage)

Shell Size	A Thread (Class 2A)	B ±0.50	C ±0.50	D MAX	E ±1.00	F ±0.80	G ±0.15	H ±0.25
10S	0.625-24	14.5	3.0	12.7	15.0	25.4	18.26	3.2
10SL	0.625-24	14.5	3.0	12.7	15.0	25.4	18.26	3.2
14S	0.875-20	14.5	3.0	12.7	19.0	30.0	23.0	3.2
16S	1.000-20	14.5	3.2	12.7	22.0	32.0	24.6	3.2
16	1.000-20	19.3	3.2	12.7	22.0	32.0	24.6	3.2
18	1.125-18	19.3	3.5	12.7	26.0	34.8	27.0	3.2
20	1.250-18	19.2	4.0	12.7	29.0	38.2	29.3	3.3
22	1.375-18	19.4	4.0	12.7	32.0	41.3	31.8	3.3
24	1.500-18	21.0	3.5	12.7	35.0	44.5	34.9	3.9
28	1.750-18	21.0	3.5	12.7	42.0	50.4	39.7	3.9
32	2.000-18	22.3	3.5	12.7	48.0	57.0	44.5	4.5
36	2.250-16	22.3	4.0	12.7	53.0	63.5	49.25	4.5
40	2.500-16	22.3	4.0	12.7	59.0	69.9	55.6	4.5

No.	Name	Material	Finish/Remarks
1	Shell	Aluminum	
2	Insert	Silicone Rubber/Neoprene	Silicone Rubber (UL V-0)
3	Contact	Brass	Silver or Gold Plated
4	Gasket	Silicone Rubber	

UNLESS NOTED TOLERANCES ARE: .X ± 0.38 .XX ± 0.25 ANGLES ± 1°	THIRD ANGLE PROJECTION		1170 S. PATTON ST. XENIA, OHIO 45385 PH: (937) 374-2700 FX: (937) 374-2717
			
UNIT: mm SCALE: NTS SHEET: 1 OF 1	DRWN: RLM DATE: 11/07/17 CHK'D: TRH APV'D: TRH	THESE DRAWINGS AND SPECIFICATIONS ARE THE PROPERTY OF SPI AND SHALL NOT BE COPIED, USED OR RE-PRODUCED WITHOUT PERMISSION.	TITLE Commercial 5015 Box Mount Receptacle SPI P / N : S-MS3X02AXX-XXX-XX REV: B CUSTOMER P / N :