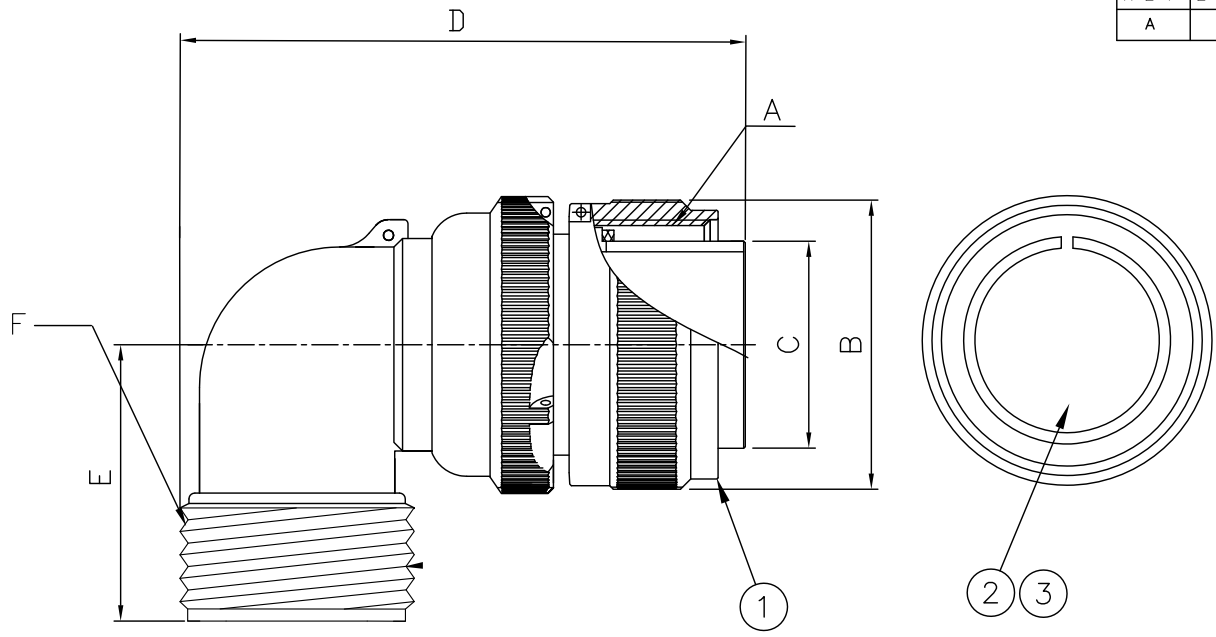


REVISIONS LIST				
REV	ECO #	DESCRIPTION	DATE	APV'D
A		Initial Release		



SPECIFICATIONS (UL Certified Inserts Only)

Mechanical
Durability 500 Cycles

Electrical
Current Rating (Max)
16 Gauge 13.0 A
12 Gauge 23.0 A
8 Gauge 46.0 A
4 Gauge 80.0 A
0 Gauge 150.0 A

Voltage
Test (rms)
Service Level Inst 1000 VAC
Service Level A 2000 VAC
Service Level B 4500 VAC
Service Level C 7000 VAC
Service Level D 2800 VAC
Service Level E 3500 VAC

Working (VDC/VAC)
Service Level Inst 250/200
Service Level A 700/500
Service Level B 2450/1750
Service Level C 4200/3000
Service Level D 1250/900
Service Level E 1750/1250

Insulation Resistance (@500 VDC) 5000 MΩ

Environmental
Operating Temperature (Max) +125°C
Salt Spray
Electrophoresis Green (Non-Conductive) 96 Hrs
Electroless Nickel (Conductive) 48 Hrs
Vibration (10-500Hz) (3 Axis) 90 Min (No Damage)

Shell Size	A Thread (Class: 2B)	B ±0.50	C ±0.30	D ±2.0	E ±2.0	F Thread (Class: 2A)
18	1.125-18	34.5	23.3	63.5	28.3	1.000-20
20	1.250-18	37.5	26.6	71.6	29.9	1.1875-18
22	1.375-18	41.0	29.8	74.5	30.0	1.1875-18
24	1.500-18	43.2	33.0	81.5	32.0	1.4375-18
28	1.750-18	50.0	38.6	82.5	38.6	1.4375-18
32	2.000-18	56.0	44.7	93.5	44.7	1.750-18

No.	Name	Material	Finish/Remarks
1	Shell	Aluminum	
2	Insert	Silicone Rubber or Neoprene	Silicone Rubber is (UL V-0)
3	Contact	Brass	Silver or Gold Plated

UNLESS NOTED TOLERANCES ARE: .X ± 0.38 .XX ± 0.25 ANGLES ± 1°	THIRD ANGLE PROJECTION 	 1170 S. PATTON ST. XENIA, OHIO 45385 PH: (937) 374-2700 FX: (937) 374-2717
--	----------------------------	---

UNIT: mm	DRWN: RLM	THESE DRAWINGS AND SPECIFICATIONS ARE THE PROPERTY OF SPI AND SHALL NOT BE COPIED, USED OR RE-PRODUCED WITHOUT PERMISSION.	TITLE Commercial 5015 90° Plug	
SCALE: NTS	DATE: 01/10/18		S P I P / N : S-MS3X08XXX-XXX-XX	
	CHK'D: TRH		REV: A	
SHEET: 1 OF 2	APV'D: TRH		CUSTOMER P/N:	