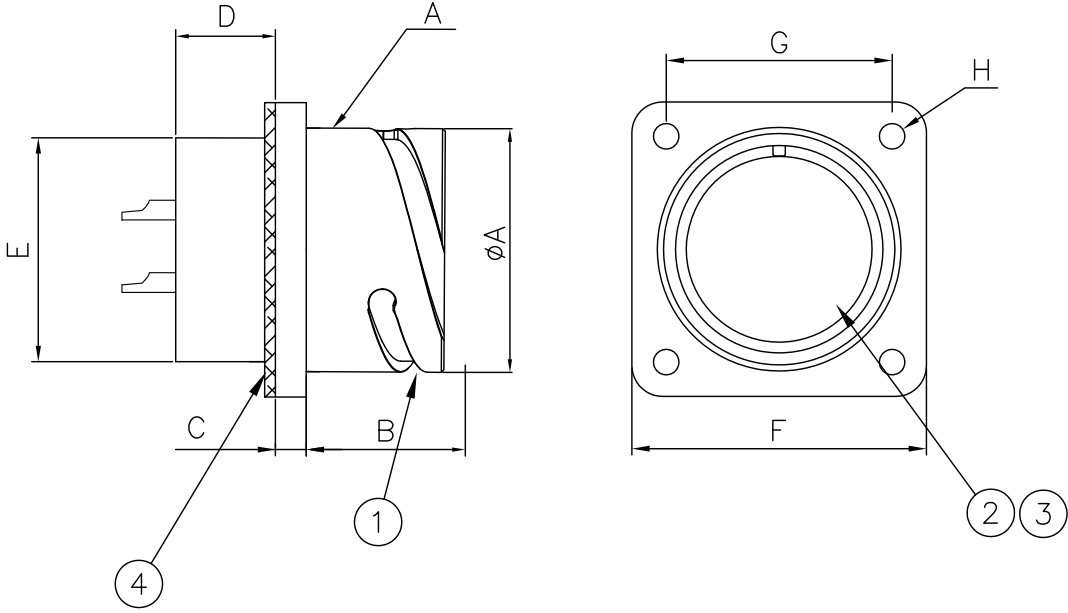


REVISIONS LIST				
REV	ECO #	DESCRIPTION	DATE	APV'D
A		Initial Release		
B		Updated Dimensions	04/17/18	RLM



SPECIFICATIONS (UL Certified Inserts Only)

Mechanical
Durability 500 Cycles

Electrical
Current Rating (Max)
16 Gauge 13.0 A
12 Gauge 23.0 A
8 Gauge 46.0 A
4 Gauge 80.0 A
0 Gauge 150.0 A

Voltage
Test (rms)
Service Level Inst 1000 VAC
Service Level A 2000 VAC
Service Level B 4500 VAC
Service Level C 7000 VAC
Service Level D 2800 VAC
Service Level E 3500 VAC

Working (VDC/VAC)
Service Level Inst 250/200
Service Level A 700/500
Service Level B 2450/1750
Service Level C 4200/3000
Service Level D 1250/900
Service Level E 1750/1250
Insulation Resistance (@500 VDC) 5000 M Ω

Environmental
Operating Temperature (Max) +125°C
Salt Spray
Electrophoresis Green (Non-Conductive) 96 Hrs
Electroless Nickel (Conductive) 48 Hrs
Vibration (10-500Hz) (3 Axis) 90 Min (No Damage)

Shell Size	ϕA ± 0.1	B ± 0.50	C ± 0.30	D MAX	E ± 1.00	F ± 0.80	G ± 0.20	H ± 0.25
10SL	18.1	14.5	3.0	12.7	15.0	25.4	18.2	3.2
14S	24.5	14.5	3.0	12.7	19.0	30.0	23.0	3.2
16S	27.3	14.5	3.2	12.7	22.0	32.0	24.6	3.2
16	27.3	19.3	3.2	12.7	22.0	32.0	24.6	3.2
18	30.7	19.3	3.5	12.7	26.0	34.8	27.0	3.2
20	34.1	19.3	4.0	12.7	29.0	38.2	29.3	3.3
22	37.3	19.3	4.0	12.7	32.0	41.3	31.8	3.3
24	40.8	21.0	3.5	12.7	35.0	44.5	34.9	3.9
28	46.6	21.0	3.5	12.7	42.0	50.4	39.7	3.9
32	53.3	22.3	3.5	12.7	48.0	57.0	44.5	4.5
36	59.5	22.3	4.0	12.7	53.0	63.5	49.2	4.5
40	65.4	22.3	4.0	12.7	59.0	69.9	55.6	4.5

No.	Name	Material	Finish/Remarks
1	Shell	Aluminum	
2	Insert	Silicone Rubber/Neoprene	Silicone Rubber (UL V-0)
3	Contact	Brass	Silver or Gold Plated
4	Gasket	Silicone Rubber	

UNLESS NOTED TOLERANCES ARE: .X ± 0.38 .XX ± 0.25 ANGLES $\pm 1^\circ$	THIRD ANGLE PROJECTION 	 1170 S. PATTON ST. XENIA, OHIO 45385 PH: (937) 374-2700 FX: (937) 374-2717
---	----------------------------	---

UNIT: mm	DRWN: RLM	THESE DRAWINGS AND SPECIFICATIONS ARE THE PROPERTY OF SPI AND SHALL NOT BE COPIED, USED OR RE-PRODUCED WITHOUT PERMISSION.	TITLE Commercial 5015 Reverse Bayonet Box Mount Receptacle	
SCALE: NTS	DATE: 01/25/18		S P I P / N : S-MS4102XXX-XXX-XX	
	CHK'D: TRH		REV: B	
SHEET: 1 OF 1	APV'D: TRH		CUSTOMER P/N:	