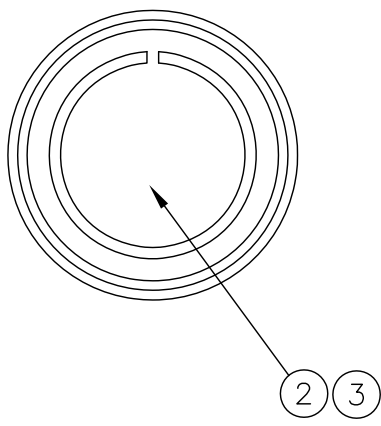
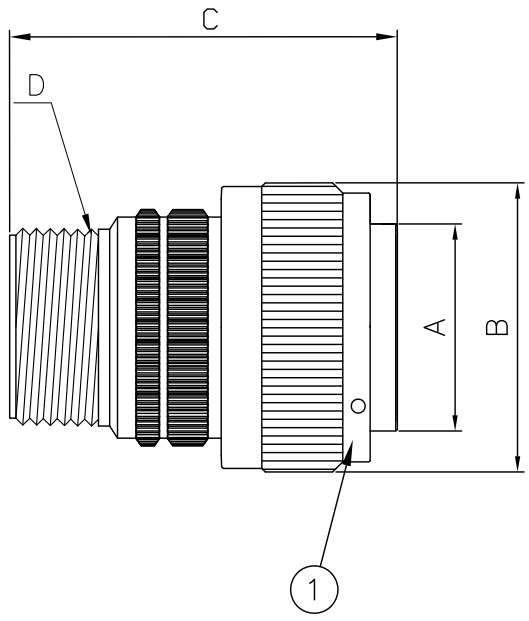


REVISIONS LIST				
REV	ECO #	DESCRIPTION	DATE	APV'D
A		Initial Release		



Shell Size	A ±0.30	B ±1.0	C ±5.0	D Thread (Class: 2A)
10SL	11.2	22.8	39.0	0.625-24
14S	16.9	30.0	40.5	0.750-20
16S	20.3	33.0	43.0	0.875-20
16	20.3	33.0	50.0	0.875-20
18	23.3	36.5	50.0	1.000-20
20	26.6	40.5	55.0	1.1875-18
22	29.8	44.0	55.0	1.1875-18
24	33.0	47.0	59.0	1.4375-18
28	38.6	54.0	59.0	1.4375-18
32	44.7	60.0	60.0	1.750-18
36	50.2	66.0	60.0	2.000-16
40	56.5	72.0	60.0	2.250-16

SPECIFICATIONS (UL Certified Inserts Only)

<u>Mechanical</u>	
Durability	500 Cycles
<u>Electrical</u>	
Current Rating (Max)	
16 Gauge	13.0 A
12 Gauge	23.0 A
8 Gauge	46.0 A
4 Gauge	80.0 A
0 Gauge	150.0 A
Voltage	
Test (rms)	
Service Level Inst	1000 VAC
Service Level A	2000 VAC
Service Level B	4500 VAC
Service Level C	7000 VAC
Service Level D	2800 VAC
Service Level E	3500 VAC
Working (VDC/VAC)	
Service Level Inst	250/200
Service Level A	700/500
Service Level B	2450/1750
Service Level C	4200/3000
Service Level D	1250/900
Service Level E	1750/1250
Insulation Resistance (@500 VDC)	5000 MΩ
<u>Environmental</u>	
Operating Temperature (Max)	+125°C
Salt Spray	
Electrophoresis Green (Non-Conductive)	96 Hrs
Electroless Nickel (Conductive)	48 Hrs
Vibration (10-500Hz) (3 Axis)	90 Min (No Damage)

No.	Name	Material	Finish/Remarks
1	Shell	Aluminum	
2	Insert	Silicone Rubber or Neoprene	Silicone Rubber is (UL V-0)
3	Contact	Brass	Silver or Gold Plated

UNLESS NOTED TOLERANCES ARE: .X ± 0.38 .XX ± 0.25 ANGLES ± 1°	THIRD ANGLE PROJECTION 	 1170 S. PATTON ST. XENIA, OHIO 45385 PH: (937) 374-2700 FX: (937) 374-2717
--	----------------------------	---

UNIT: mm	DRWN: RLM	THESE DRAWINGS AND SPECIFICATIONS ARE THE PROPERTY OF AND SHALL NOT BE COPIED, USED OR RE-PRODUCED WITHOUT PERMISSION.	TITLE Commercial 5015 Reverse Bayonet Plug	
SCALE: NTS	DATE: 01/02/18		S P I P / N : S-MS4X06XXX-XXXX-XX	
	CHK'D: TRH		R E V : A	
SHEET: 1 OF 1	APV'D: TRH		C U S T O M E R P / N :	