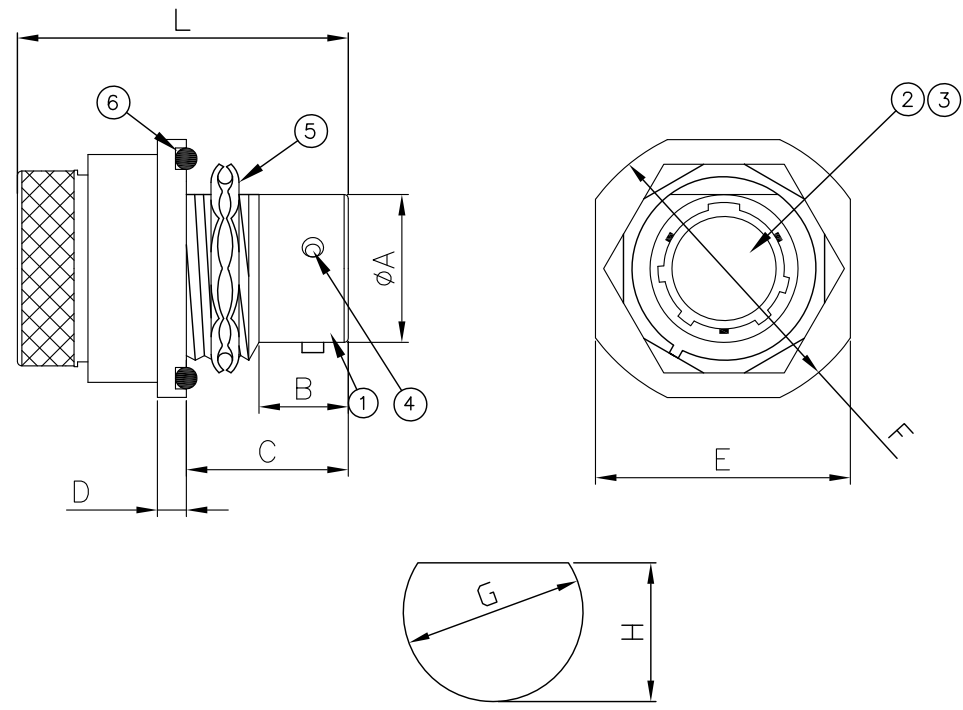


REVISIONS LIST

REV	ECO #	DESCRIPTION	DATE	APV'D
A		Initial Release		
B		Add New Insert Material	03/20/20	RLM



Panel Cut Out

Shell Size	A	B	C	D	E	F	G	H	L	Panel Thickness (REF)	
	MAX	MIN	+0.79 -0.0	±0.51	MAX	+0.00 -0.81	+0.254 -0.127	+0.254 -0.127	Max	Min	Max
8	12.04	9.75	17.55	2.97	24.23	27.38	14.53	13.72	34.14	1.57	3.18
10	15.01	9.75	17.55	2.97	27.38	30.56	17.70	16.89	34.14	1.57	3.18
12	19.08	9.75	17.55	2.97	32.16	35.33	22.48	21.20	34.14	1.57	3.18
14	22.25	9.75	17.55	2.97	35.33	38.51	25.65	24.18	34.14	1.57	3.18
16	25.43	9.75	17.55	2.97	38.51	41.68	28.83	27.33	34.14	1.57	3.18
18	28.60	9.75	17.55	2.97	41.68	44.86	32.00	30.51	34.14	1.57	3.18
20	31.78	11.33	22.33	3.76	46.43	49.63	35.18	33.69	40.49	1.57	6.35
22	34.95	11.33	22.33	3.76	49.63	52.78	38.35	36.86	40.49	1.57	6.35
24	38.12	12.17	23.16	3.76	52.78	55.96	41.53	40.03	41.68	1.57	6.35

SPECIFICATIONS

Mechanical

Engagement Force-Torque (Max)	.902-4.97 N-m
Disengagement Force-Torque (Min)	.113-.791 N-m
Durability	500 Cycles
Insert Retention	5.3 Kg/cm ²
Contact Retention (Min)	
20 Gauge	67 N
16 Gauge	113 N
Contact Engagement Force (Max)	
20 Gauge	5.0 N
16 Gauge	8.34 N
Contact Separation Force (Min)	
20 Gauge	.195 N
16 Gauge	.556 N

Electrical

Current Rating (Max)	
20 Gauge	7.5A
16 Gauge	22.0A
Contact Resistance	As specified in Table VII MIL-DTL-26482
Insulation Resistance (@500 VDC)	
(25°C)	5000 MΩ
Short Time (125°C)	3 MΩ
Long Time (105°C)	12 MΩ
Dielectric Withstanding Voltage (Working)	
SL (Service Rating I)	600 VAC (rms)
(Service Rating II)	1000 VAC (rms)
70,000 Ft (Service Rating I)	300 VAC (rms)
(Service Rating II)	450 VAC (rms)

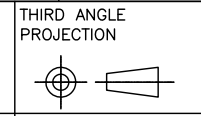
Environmental

Operating Temperature	-55°C - +125°C
Air Leakage (@2.11 Kg/cm ²)	<4.55X10 ⁻³ cm ³ /s
Salt Spray (@35°C)	48 Hrs
Vibration (10-2000Hz)	12 Hrs
Shock (Peak Acceleration)	490 m/s ² (50g's)

NOTE: Service Rating is identified on each insert arrangement

No.	Name	Material/Finish	Remarks
1	Shell	Aluminum	
2	Insert	Neoprene or Viton	
3	Contact	Copper Alloy	Ni 100µ" - Au Flash
4	Locking Post	304 Stainless Steel	
5	Jam Nut	Aluminum	
6	Gasket Ring	Neoprene	

UNLESS NOTED TOLERANCES ARE:
.X ± 0.38
.XX ± 0.25
ANGLES ± 1°



1170 S. PATTON ST.
XENIA, OHIO 45385
PH: (937) 374-2700
FX: (937) 374-2717

UNIT: mm	DRWN: RLM
SCALE: NTS	DATE: 02/06/14
	CHK'D: RLM
SHEET: 1 OF 1	APV'D: RLM

THESE DRAWINGS AND SPECIFICATIONS ARE THE PROPERTY OF SPI AND SHALL NOT BE COPIED, USED OR RE-PRODUCED WITHOUT PERMISSION.

TITLE	
26482 Jam Nut Receptacle	
SPI P / N: SPI07EXX-XXXX-XX	REV: B
CUSTOMER P / N:	