

REVISIONS LIST				
REV	ECO #	DESCRIPTION	DATE	APV'D
A		Initial Release		

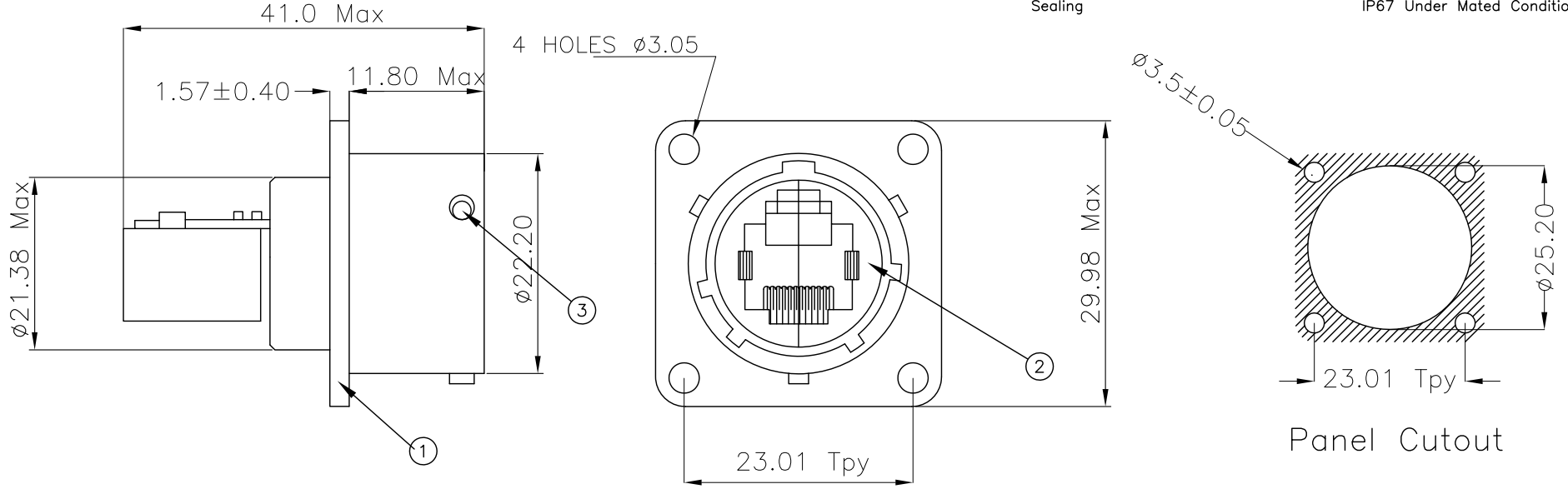
SPECIFICATIONS

Mechanical

Durability 500 Cycles
 Vibration 10-500Hz, 10g, 3 Axis
 No Discontinuity > 10 nsec

Environmental

Operating Temperature -40°C - +85°C
 Salt Spray 48 Hrs
 Humidity 21 Days, 43°C, 98% Humidity
 Thermal Shock 5 Cycles -40° to +100°C
 Sealing IP67 Under Mated Condition



Ordering Information

26482ERJ11-XX

Plating

- =Cadmium Olive Drab (NoN-RoHS, Conductive) (Standard Leave Blank)
- 05=Zinc Green (RoHS, Conductive)
- 06=Zinc Black (RoHS Conductive)
- 07=Electroless Nickel (Non-RoHS, Conductive)
- 08=Soft Anodized Black (RoHS, Non-Conductive)
- 09=Hard Anodized Black (RoHS, Non-Conductive)

No.	Name	Material/Finish	Remarks
1	Shell	Aluminum	
2	Insert	Thermoplastic	
3	Locking Post	Stainless Steel	

UNLESS NOTED TOLERANCES ARE: .X ± 0.38 .XX ± 0.25 ANGLES ± 1°	THIRD ANGLE PROJECTION 	 1170 S. PATTON ST. XENIA, OHIO 45385 PH: (937) 374-2700 FX: (937) 374-2717
UNIT: mm	DRWN: RLM	S P I P / N : SPI22ERJ11-XX C U S T O M E R P / N :
SCALE: NTS	DATE: 12/15/17	
	CHK'D: RLM	
SHEET: 1 OF 1	APV'D: RLM	

THESE DRAWINGS AND SPECIFICATIONS ARE THE PROPERTY OF SPI AND SHALL NOT BE COPIED, USED OR RE-PRODUCED WITHOUT PERMISSION.