

REVISIONS LIST				
REV	ECO #	DESCRIPTION	DATE	APV'D
A		Initial Release		

SPECIFICATIONS

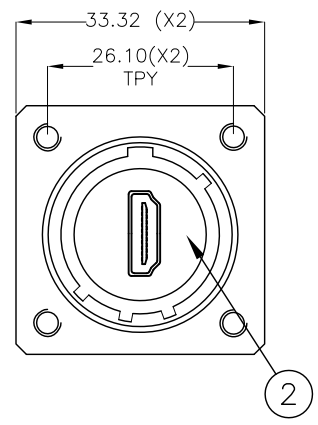
Characteristics
HDMI 2.0 Type A Female Port on Front & Back
No Cabling Operation in the Field
No Tool Required
MIL-DTL-38999 Series III Tri-Start Coupling Mechanism

Mechanical
Mating 500 Cycles
Shock & Vibration Resistant

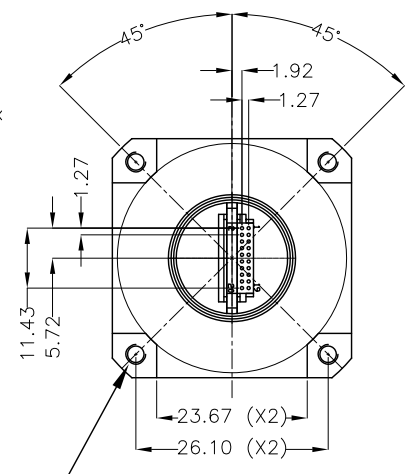
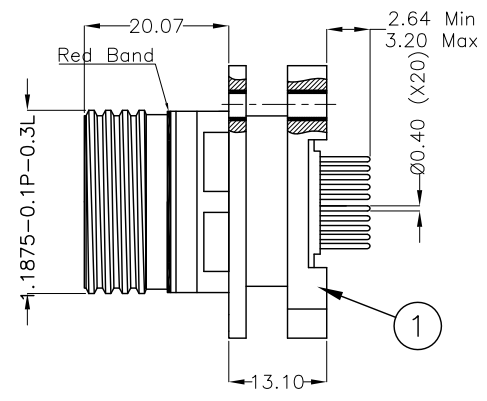
Electrical
Voltage Rating 40V Max
Current Rating 0.5A
Insulation Resistance >100 MΩ

Environmental
Operating Temperature -20°C - +85°C
Salt Spray
Electroless Nickel 48 Hrs
Olive Drab Cadmium 500 Hrs
Zinc Nickel Black 500 Hrs
Humidity 21 Days @ 43°C & 98% Humidity
Sealing IP68 (Mated)

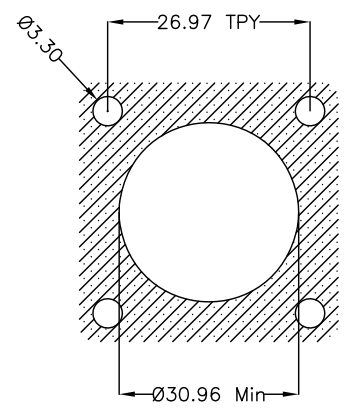
Data Transmission Up To 18Gbps



HDMI DIRECTION
AND KEYS DIRECTION IS SHOWN FOR REF ONLY



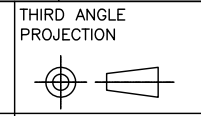
8 Holes M3X0.50-6H Thru All



PANEL CUTOUT

No.	Name	Material/Finish	Remarks
1	Shell	Aluminum	
2	Insert	Thermo Plastic	
3	Seal Ring	Silicone Rubber	

UNLESS NOTED TOLERANCES ARE:
.X ± 0.38
.XX ± 0.25
ANGLES ± 1°

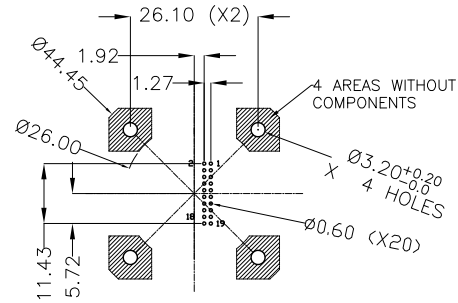


1170 S. PATTON ST.
XENIA, OHIO 45385
PH: (937) 374-2700
FX: (937) 374-2717

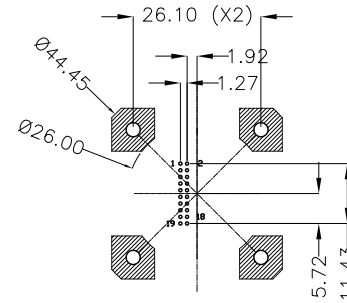
UNIT: mm	DRWN: RLM	THESE DRAWINGS AND SPECIFICATIONS ARE THE PROPERTY OF SPI AND SHALL NOT BE COPIED, USED OR RE-PRODUCED WITHOUT PERMISSION.	TITLE Commercial D38999 HDMI Wall Mount Standoff PC Tail Receptacle	
SCALE: NTS	DATE: 05/09/22		S P I P / N : SPI3820DXXHDMIXX	
	CHK'D: RLM		REV: A	
SHEET: 1 OF 2	APV'D: RLM		CUSTOMER P / N:	

REVISIONS LIST				
REV	ECO #	DESCRIPTION	DATE	APV'D
A		Initial Release		

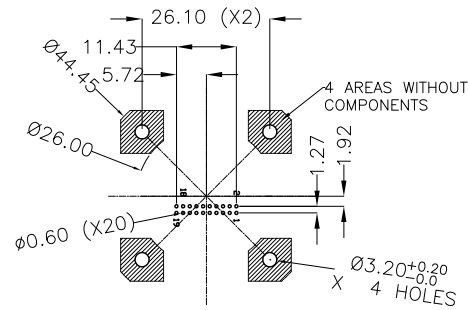
PCB Layouts



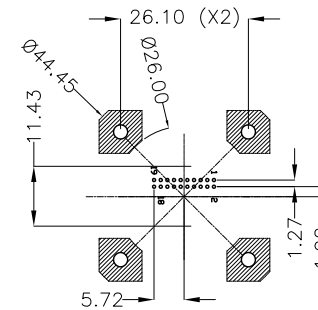
HDMI Orientation V



HDMI Orientation V1



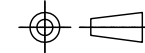
HDMI Orientation H



HDMI Orientation H1

UNLESS NOTED
TOLERANCES ARE:
.X ± 0.38
.XX ± 0.25
ANGLES ± 1°

THIRD ANGLE
PROJECTION



1170 S. PATTON ST.
XENIA, OHIO 45385
PH: (937) 374-2700
FX: (937) 374-2717

UNIT: mm	DRWN: RLM	THESE DRAWINGS AND SPECIFICATIONS ARE THE PROPERTY OF SPI AND SHALL NOT BE COPIED, USED OR RE-PRODUCED WITHOUT PERMISSION.	TITLE Commercial D38999 HDMI Wall Mount Standoff PC Tail Receptacle	
SCALE: NTS	DATE: 05/09/22		S P I P / N : SPI3820DXXHDMIXX	
SHEET: 2 OF 2	APV'D: RLM		REV: A	
		CUSTOMER P / N:		