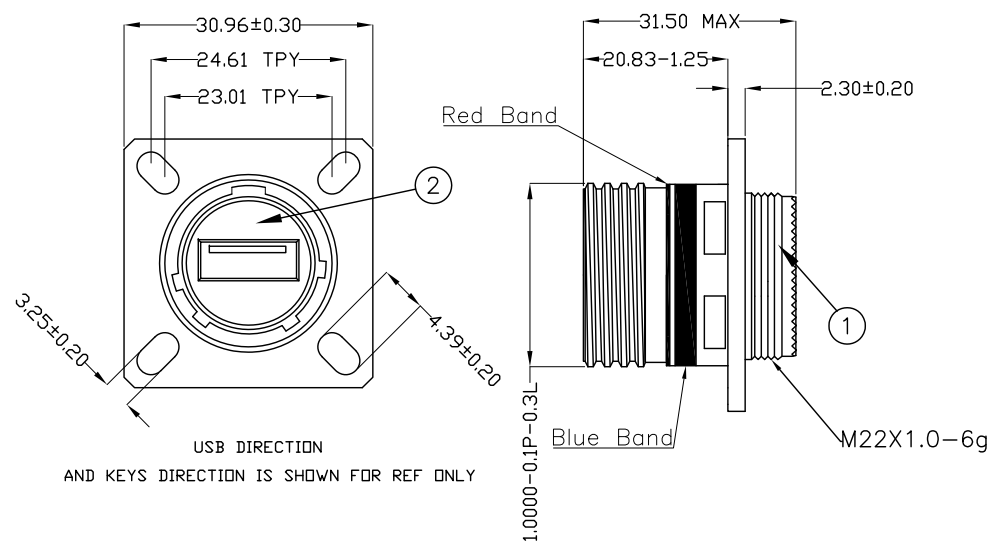


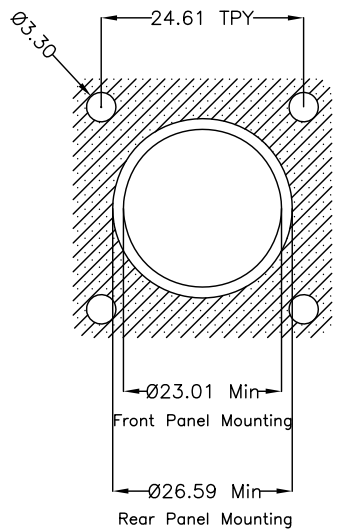
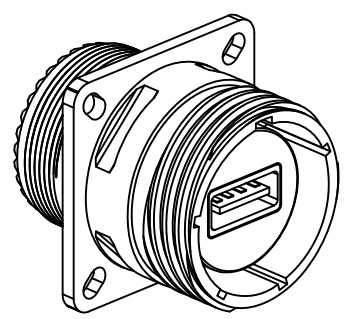
REVISIONS LIST				
REV	ECO #	DESCRIPTION	DATE	APV'D
A		Initial Release		

SPECIFICATIONS

<u>Mechanical</u>	
Durability	500 Cycles
Vibration	10-500Hz, 10g 3 Axes
<u>Electrical</u>	
Current Rating (Max)	1.0A per Contact
Voltage	30 VAC
<u>Environmental</u>	
Operating Temperature	-40°C - +85°C
Salt Spray	
Electroless Nickel	48 Hrs
Olive Drab Cadmium	500 Hrs
Humidity	21 Days, 43°C, 98% Humidity
<u>Data Transmission</u>	Up To 480 Mbps For USB 2.0



USB DIRECTION
AND KEYS DIRECTION IS SHOWN FOR REF ONLY



PANEL CUTOUT

No.	Name	Material	Remarks
1	Shell	Aluminum	
2	Insert	Engineering Plastic	
3	Seal Ring	Silicone Rubber	

UNLESS NOTED TOLERANCES ARE: .X ± 0.38 .XX ± 0.25 ANGLES ± 1°	THIRD ANGLE PROJECTION 	 1170 S. PATTON ST. XENIA, OHIO 45385 PH: (937) 374-2700 FX: (937) 374-2717
--	----------------------------	---

UNIT: mm	DRWN: RLM	THESE DRAWINGS AND SPECIFICATIONS ARE THE PROPERTY OF AND SHALL NOT BE COPIED, USED OR RE-PRODUCED WITHOUT PERMISSION.	TITLE 38999 Series III Wall Mount USB Receptacle	
SCALE: NTS	DATE: 06/30/20		SPI P / N: SPI3820XUSBX	REV: A
	CHK'D: TRH		CUSTOMER P / N:	
SHEET: 1 OF 1	APV'D: TRH			