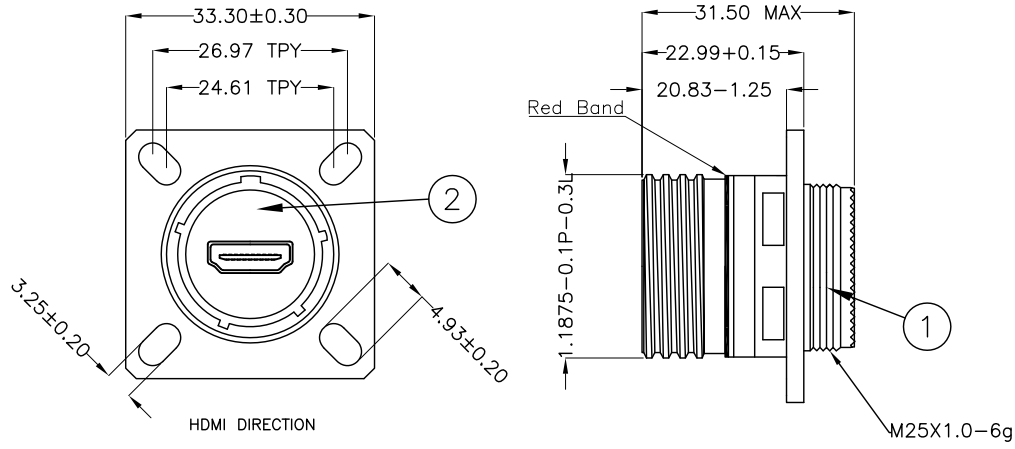
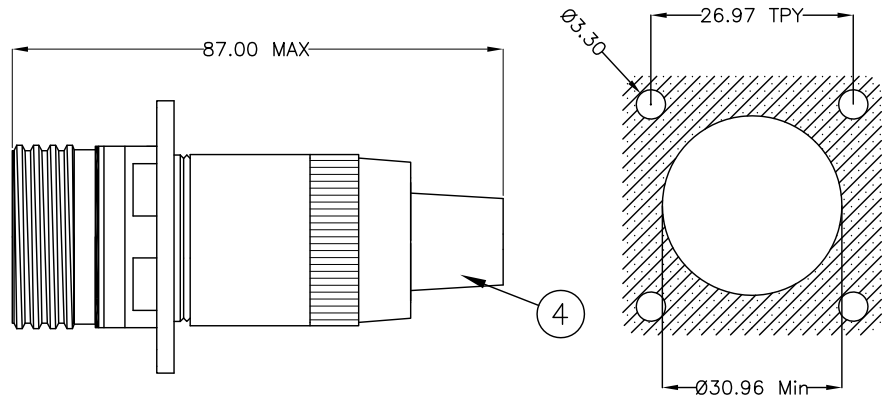


REVISIONS LIST				
REV	ECO #	DESCRIPTION	DATE	APV'D
A		Initial Release		

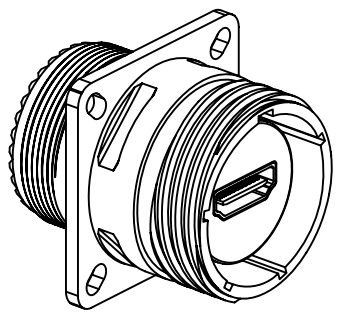


HDMI DIRECTION  
AND KEYS DIRECTION IS SHOWN FOR REF ONLY



WITH METAL BACK SHELL

PANEL CUTOUT



**SPECIFICATIONS**

- Characteristics  
HDMI 2.0 Type A Female Port on Front & Back  
No Cabling Operation in the Field  
No Tool Required  
MIL-DTL-38999 Series III Tri-Start Coupling Mechanism
- Mechanical  
Mating: 500 Cycles  
Shock & Vibration Resistant
- Electrical  
Voltage Rating: 40V Max  
Current Rating: 0.5A  
Insulation Resistance: >100 MΩ
- Environmental  
Operating Temperature: -20°C - +85°C  
Salt Spray:  
Electroless Nickel: 48 Hrs  
Olive Drab Cadmium: 500 Hrs  
Zinc Nickel Black: 500 Hrs  
Humidity: 21 Days @ 43°C & 98% Humidity  
Sealing: IP68 (Mated)
- Data Transmission  
Up To 18Gbps

No.	Name	Material/Finish	Remarks
1	Shell	Aluminum	
2	Insert	Thermo Plastic	
3	Seal Ring	Silicone Rubber	
4	Grommet	Silicone Rubber	

UNLESS NOTED TOLERANCES ARE: .X ± 0.38 .XX ± 0.25 ANGLES ± 1°	THIRD ANGLE PROJECTION 	 1170 S. PATTON ST. XENIA, OHIO 45385 PH: (937) 374-2700 FX: (937) 374-2717
	THESE DRAWINGS AND SPECIFICATIONS ARE THE PROPERTY OF  AND SHALL NOT BE COPIED, USED OR RE- PRODUCED WITHOUT PERMISSION.	

U N I T : mm	D R W N : RLM
S C A L E : NTS	D A T E : 05/17/22
	C H K ' D : RLM
S H E E T : 1 OF 1	A P V ' D : RLM