

REVISIONS LIST				
REV	ECO #	DESCRIPTION	DATE	APV'D
A		Initial Release		

**SPECIFICATIONS**

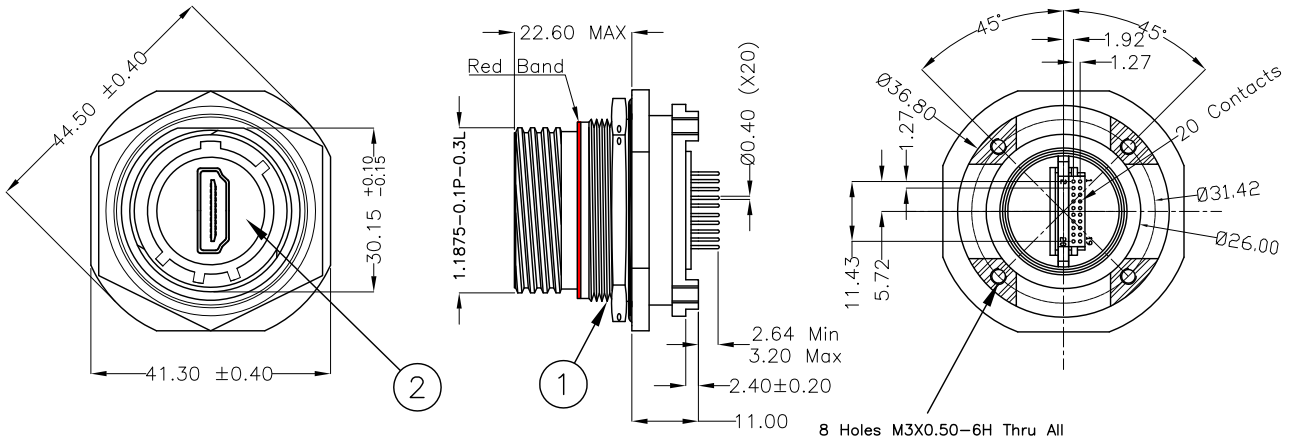
Characteristics  
HDMI 2.0 Type A Female Port on Front & Back  
No Cabling Operation in the Field  
No Tool Required  
MIL-DTL-38999 Series III Tri-Start Coupling Mechanism

Mechanical  
Mating 500 Cycles  
Shock & Vibration Resistant

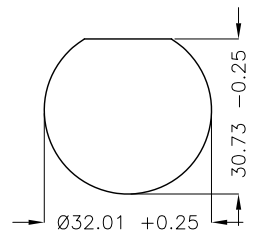
Electrical  
Voltage Rating 40V Max  
Current Rating 0.5A  
Insulation Resistance >100 MΩ

Environmental  
Operating Temperature -20°C - +85°C  
Salt Spray  
Electroless Nickel 48 Hrs  
Olive Drab Cadmium 500 Hrs  
Zinc Nickel Black 500 Hrs  
Humidity 21 Days @ 43°C & 98% Humidity  
Sealing IP68 (Mated)

Data Transmission Up To 18Gbps



HDMI DIRECTION  
AND KEYS DIRECTION IS SHOWN FOR REF ONLY



PANEL CUTOUT

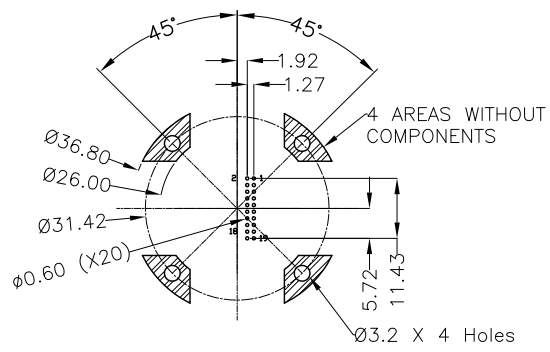
No.	Name	Material/Finish	Remarks
1	Shell	Aluminum	
2	Insert	Thermo Plastic	
3	Seal Ring	Silicone Rubber	

UNLESS NOTED TOLERANCES ARE: .X ± 0.38 .XX ± 0.25 ANGLES ± 1°	THIRD ANGLE PROJECTION 	 1170 S. PATTON ST. XENIA, OHIO 45385 PH: (937) 374-2700 FX: (937) 374-2717
--	----------------------------	---

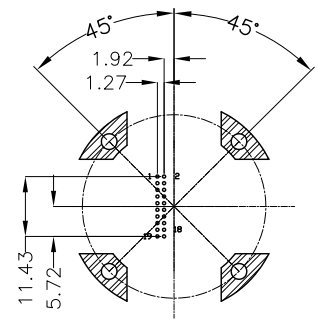
UNIT: mm	DRWN: RLM	THESE DRAWINGS AND SPECIFICATIONS ARE THE PROPERTY OF SPI AND SHALL NOT BE COPIED, USED OR RE-PRODUCED WITHOUT PERMISSION.	TITLE Commercial D38999 HDMI Jam Nut Standoff PC Tail Receptacle	
SCALE: NTS	DATE: 05/09/22		S P I P / N : SPI3824DXHDMIXX	
	CHK'D: RLM		REV: A	
SHEET: 1 OF 2	APV'D: RLM		CUSTOMER P / N:	

REVISIONS LIST				
REV	ECO #	DESCRIPTION	DATE	APV'D
A		Initial Release		

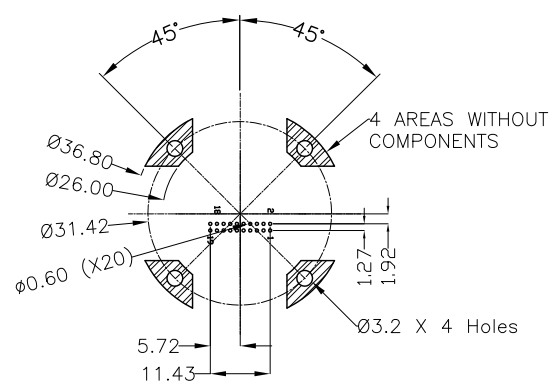
# PCB Layouts



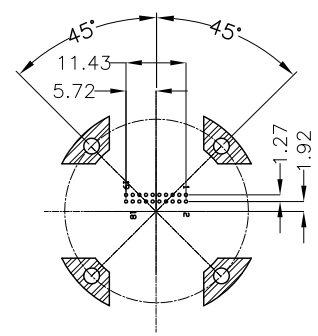
HDMI Orientation V



HDMI Orientation V1



HDMI Orientation H



HDMI Orientation H1

UNLESS NOTED TOLERANCES ARE: .X ± 0.38 .XX ± 0.25 ANGLES ± 1°		THIRD ANGLE PROJECTION 	1170 S. PATTON ST. XENIA, OHIO 45385 PH: (937) 374-2700 FX: (937) 374-2717
UNIT: mm	DRWN: RLM	THESE DRAWINGS AND SPECIFICATIONS ARE THE PROPERTY OF  AND SHALL NOT BE COPIED, USED OR RE-PRODUCED WITHOUT PERMISSION.	TITLE Commercial D38999 HDMI Jam Nut Standoff PC Tail Receptacle
SCALE: NTS	DATE: 05/09/22		SPI P / N: SPI3824DXHDMIXX
SHEET: 2 OF 2	APV'D: RLM		REV: A
		CUSTOMER P / N:	