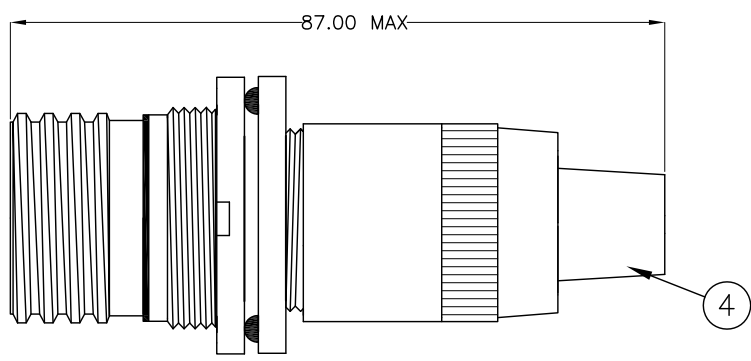
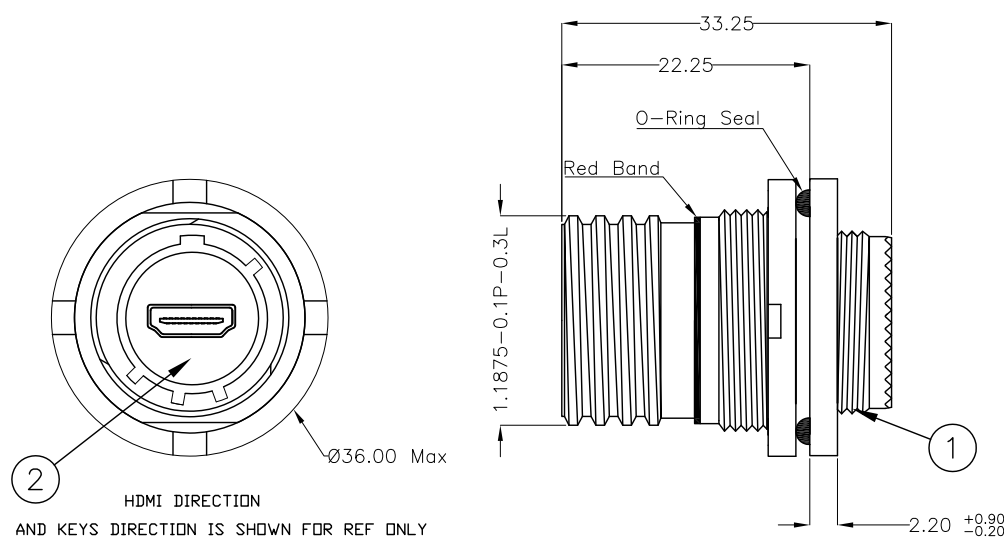
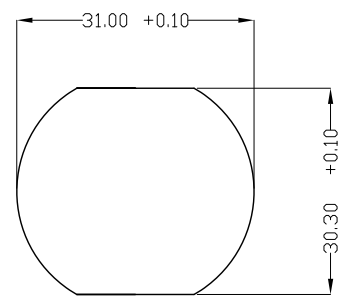


REVISIONS LIST				
REV	ECO #	DESCRIPTION	DATE	APV'D
A		Initial Release		



WITH METAL BACK SHELL



PANEL CUTOUT

**SPECIFICATIONS**

Characteristics

- HDMI 2.0 Type A Female Port on Front & Back
- No Cabling Operation in the Field
- No Tool Required
- MIL-DTL-38999 Series III Tri-Start Coupling Mechanism

Mechanical

- Mating: 500 Cycles
- Shock & Vibration Resistant

Electrical

- Voltage Rating: 40V Max
- Current Rating: 0.5A
- Insulation Resistance: >100 MΩ

Environmental

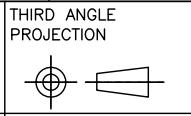
- Operating Temperature: -20°C - +85°C
- Salt Spray: 48 Hrs
- Electroless Nickel: 500 Hrs
- Olive Drab Cadmium: 500 Hrs
- Zinc Nickel Black: 500 Hrs
- Humidity: 21 Days @ 43°C & 98% Humidity
- Sealing: IP68 (Mated)

Data Transmission

Up To 18Gbps

No.	Name	Material/Finish	Remarks
1	Shell	Aluminum	
2	Insert	Thermo Plastic	
3	Seal Ring	Silicone Rubber	
4	Grommet	Silicone Rubber	

UNLESS NOTED TOLERANCES ARE:  
.X ± 0.38  
.XX ± 0.25  
ANGLES ± 1°



1170 S. PATTON ST.  
XENIA, OHIO 45385  
PH: (937) 374-2700  
FX: (937) 374-2717

UNIT: mm	DRWN: RLM	THESE DRAWINGS AND SPECIFICATIONS ARE THE PROPERTY OF <b>SPI</b> AND SHALL NOT BE COPIED, USED OR RE-PRODUCED WITHOUT PERMISSION.	TITLE: Commercial D38999 HDMI Reduced Jam Nut Receptacle	
SCALE: NTS	DATE: 05/17/22		S P I P / N : SPI3824RXXHDMIXX	
	CHK'D: RLM		REV: A	
SHEET: 1 OF 1	APV'D: RLM		CUSTOMER P / N:	