

REVISIONS LIST				
REV	ECO #	DESCRIPTION	DATE	APV'D
A		Initial Release		

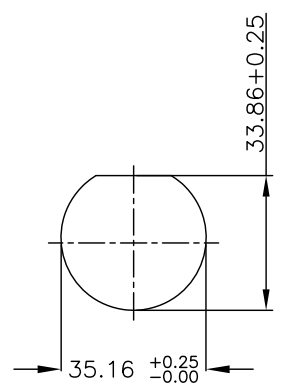
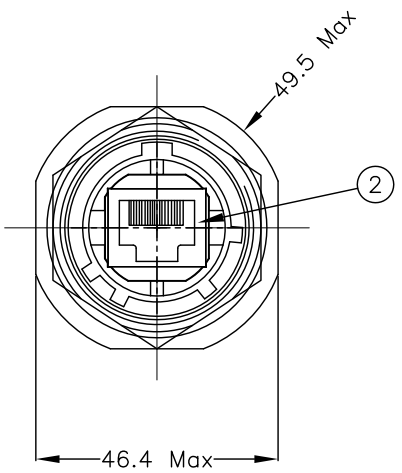
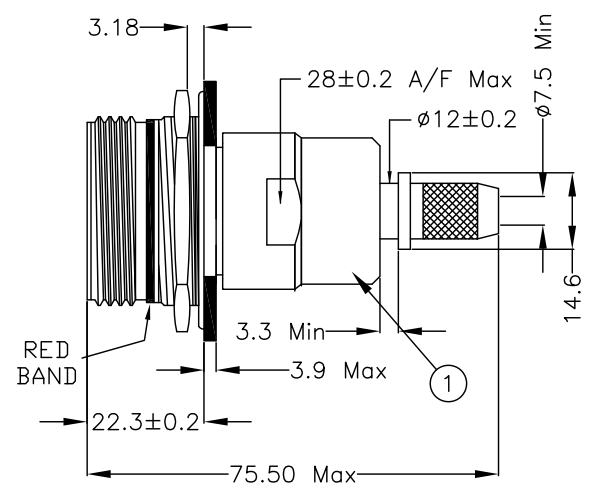
SPECIFICATIONS

Mechanical

Vibration 10-500 Hz, 10G, 3 Axis
 No Discontinuity > 10 nsec
 Shock (IK06) 250G, Drop From 40cm Onto Mated Connectors

Environmental

Operating Temperature -40°C - +85°C
 Thermal Shock 5 Cycles, -40°C to +100°C
 Salt Spray Electroless Nickel 48 Hrs
 Olive Drab Cadmium 500 Hrs
 Humidity 21 Days, 43°C, 98% Humidity



PANEL CUTOUT

No.	Name	Material	Remarks
1	Shell/Back Shell	Aluminum	
2	Insert	PPS	

UNLESS NOTED TOLERANCES ARE: .X ± 0.38 .XX ± 0.25 ANGLES ± 1°	THIRD ANGLE PROJECTION 	 1170 S. PATTON ST. XENIA, OHIO 45385 PH: (937) 374-2700 FX: (937) 374-2717
--	----------------------------	---

UNIT: mm	DRWN: RLM	THESE DRAWINGS AND SPECIFICATIONS ARE THE PROPERTY OF AND SHALL NOT BE COPIED, USED OR RE-PRODUCED WITHOUT PERMISSION.	TITLE 38999 Series III Jam Nut RJ45 Receptacle	
SCALE: NTS	DATE: 12/12/16		S P I P / N : SPI3824XRJ45	
	CHK'D: TRH		REV: A	
SHEET: 1 OF 1	APV'D: TRH		CUSTOMER P / N :	