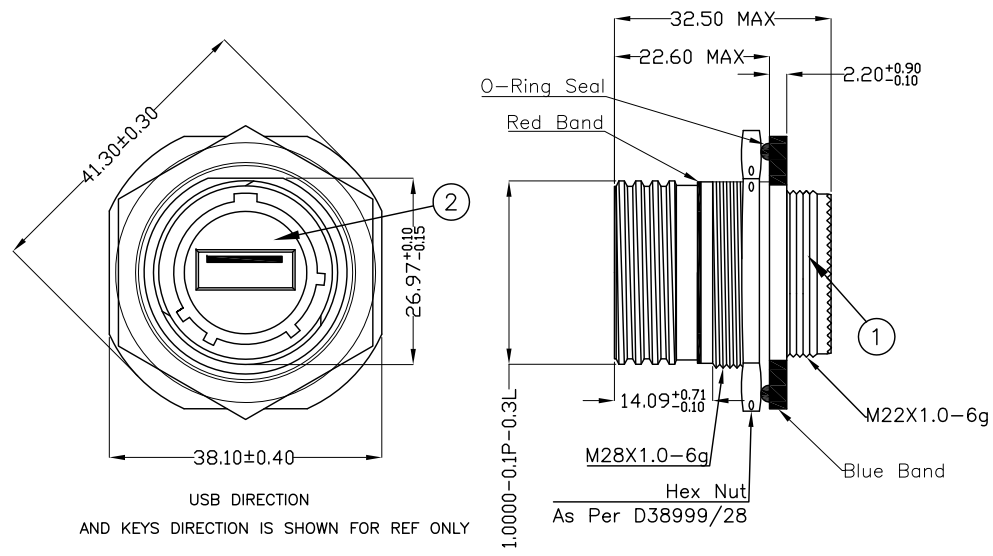
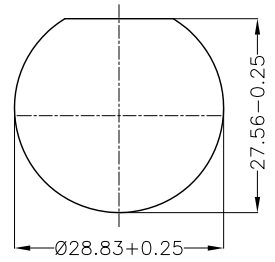
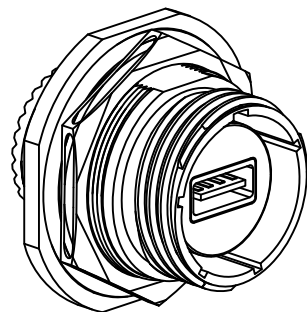


REVISIONS LIST				
REV	ECO #	DESCRIPTION	DATE	APV'D
A		Initial Release		



SPECIFICATIONS

- Mechanical
Mating: 500 Cycles
Vibration: 10-500 Hz, 10G, 3 Axis
No Discontinuity > 1 Microsec
Shock (IK06): Weight Of 250g Dropped From 40cm (15.75 in.)
- Electrical
Current Rating (Max): 1.0A per Contact
Voltage: 30 VAC
- Environmental
Operating Temperature: -40°C - +85°C
Salt Spray: 48 Hrs
Electroless Nickel: 500 Hrs
Olive Drab Cadmium: 21 Days @ 43°C & 98% Humidity
Humidity: IP68
Sealing: IP68
- Data Transmission: Up to 480 Mbps For USB 2.0



PANEL CUTOUT

No.	Name	Material	Remarks
1	Shell	Aluminum	
2	Insert	Engineering Plastic	
3	Seal Ring	Silicone Rubber	

<p>UNLESS NOTED TOLERANCES ARE: .X ± 0.38 .XX ± 0.25 ANGLES ± 1°</p>	<p>THIRD ANGLE PROJECTION</p>		<p>1170 S. PATTON ST. XENIA, OHIO 45385 PH: (937) 374-2700 FX: (937) 374-2717</p>
---	-------------------------------	--	--

UNIT: mm	DRWN: RLM	THESE DRAWINGS AND SPECIFICATIONS ARE THE PROPERTY OF SPI AND SHALL NOT BE COPIED, USED OR REPRODUCED WITHOUT PERMISSION.	TITLE: 38999 Series III Jam Nut USB Receptacle	
SCALE: NTS	DATE: 07/22/20		S P I P / N : SPI3824XUSBX	
	CHK'D: TRH		REV: A	
SHEET: 1 OF 1	APV'D: TRH		CUSTOMER P / N:	