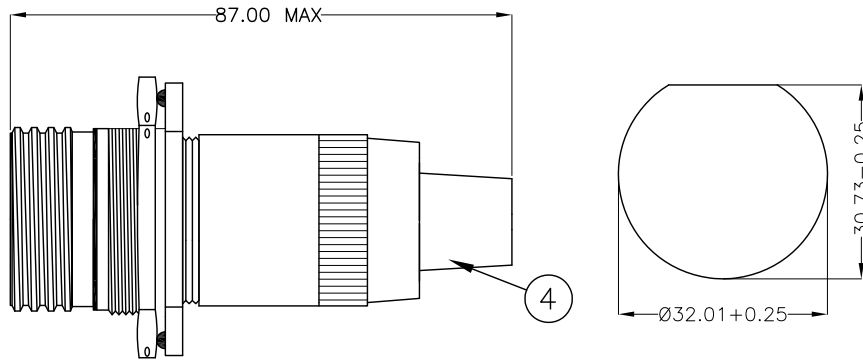
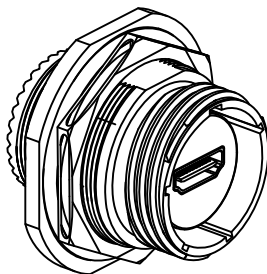


HDMI DIRECTION
AND KEYS DIRECTION IS SHOWN FOR REF ONLY



WITH METAL BACK SHELL



REVISIONS LIST				
REV	ECO #	DESCRIPTION	DATE	APV'D
A		Initial Release		

SPECIFICATIONS

Characteristics

HDMI 2.0 Type A Female Port on Front & Back
No Cabling Operation in the Field
No Tool Required
MIL-DTL-38999 Series III Tri-Start Coupling Mechanism

Mechanical

Mating 500 Cycles
Shock & Vibration Resistant

Electrical

Voltage Rating 40V Max
Current Rating 0.5A
Insulation Resistance >100 MΩ

Environmental

Operating Temperature -20°C - +85°C
Salt Spray
Electroless Nickel 48 Hrs
Olive Drab Cadmium 500 Hrs
Zinc Nickel Black 500 Hrs
Humidity 21 Days @ 43°C & 98% Humidity
Sealing IP68 (Mated)

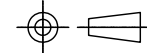
Data Transmission

Up To 18Gbps

No.	Name	Material/Finish	Remarks
1	Shell	Aluminum	
2	Insert	Thermo Plastic	
3	Seal Ring	Silicone Rubber	
4	Grommet	Silicone Rubber	

UNLESS NOTED TOLERANCES ARE:
.X ± 0.38
.XX ± 0.25
ANGLES ± 1°

THIRD ANGLE PROJECTION



1170 S. PATTON ST.
XENIA, OHIO 45385
PH: (937) 374-2700
FX: (937) 374-2717

UNIT: mm	DRWN: RLM	THESE DRAWINGS AND SPECIFICATIONS ARE THE PROPERTY OF SPI AND SHALL NOT BE COPIED, USED OR RE-PRODUCED WITHOUT PERMISSION.	TITLE Commercial D38999 HDMI Jam Nut Receptacle	
SCALE: NTS	DATE: 05/17/22		S P I P / N : SPI3824XXHDMIXX	
	CHK'D: RLM		REV: A	
SHEET: 1 OF 1	APV'D: RLM		CUSTOMER P / N:	