

REVISIONS LIST				
REV	ECO #	DESCRIPTION	DATE	APV'D
A		Initial Release		

SPECIFICATIONS

Mechanical

Mating: 500 Cycles
 Vibration: 10-500 Hz, 10G, 3 Axis
 No Discontinuity > 1 Microsec
 Shock (IK06): Weight Of 250g Dropped From 40cm (15.75 in.)

Electrical

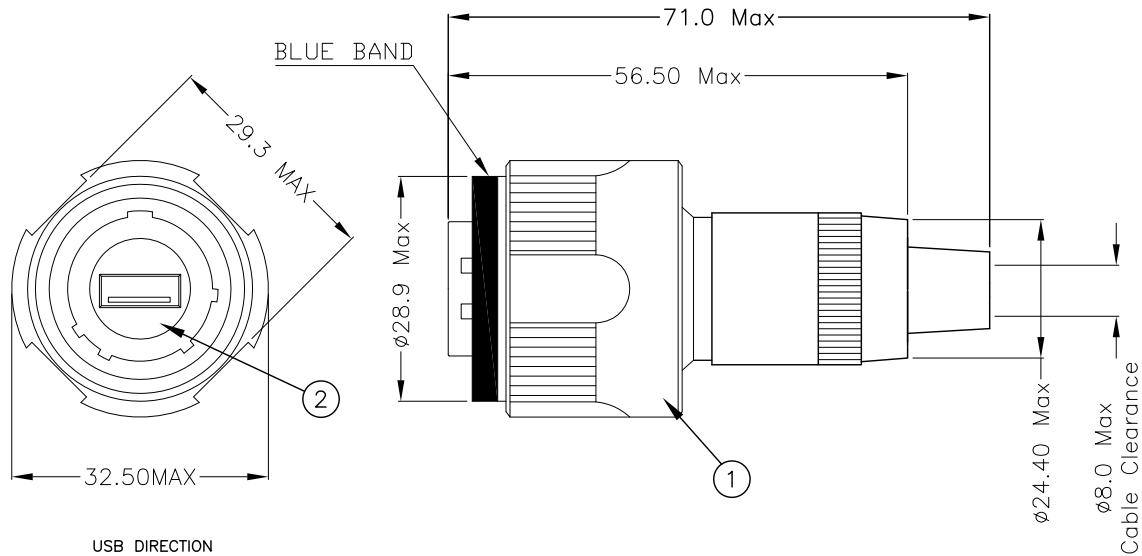
Current Rating (Max): 1.0A per Contact
 Voltage: 30 VAC

Environmental

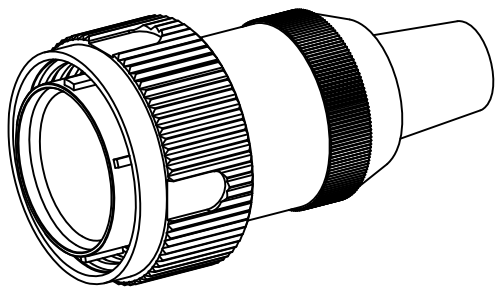
Operating Temperature: -40°C - +85°C
 Salt Spray: Electroless Nickel 48 Hrs
 Olive Drab Cadmium 500 Hrs
 Humidity: 21 Days @ 43°C & 98% Humidity
 Sealing: IP68

Data Transmission

Up to 480 Mbps For USB 2.0



USB DIRECTION
 AND KEYS DIRECTION IS SHOWN FOR REF ONLY



No.	Name	Material	Remarks
1	Shell	Aluminum	
2	Insert	Engineering Plastic	
3	Grommet	Poly Chlorprene	
4	Seal Ring	Silicone Rubber	
5	Friction Ring	Stainless Steel	

UNLESS NOTED TOLERANCES ARE: .X ± 0.38 .XX ± 0.25 ANGLES ± 1°	THIRD ANGLE PROJECTION			1170 S. PATTON ST. XENIA, OHIO 45385 PH: (937) 374-2700 FX: (937) 374-2717
	UNIT: mm SCALE: NTS SHEET: 1 OF 1			

REV: A