

REVISIONS LIST				
REV	ECO #	DESCRIPTION	DATE	APV'D
A		Initial Release		

**SPECIFICATIONS**

Characteristics

HDMI 2.0 Type A Female Port on Front & Back  
 No Cabling Operation in the Field  
 No Tool Required  
 MIL-DTL-38999 Series III Tri-Start Coupling Mechanism

Mechanical

Mating 500 Cycles  
 Shock & Vibration Resistant

Electrical

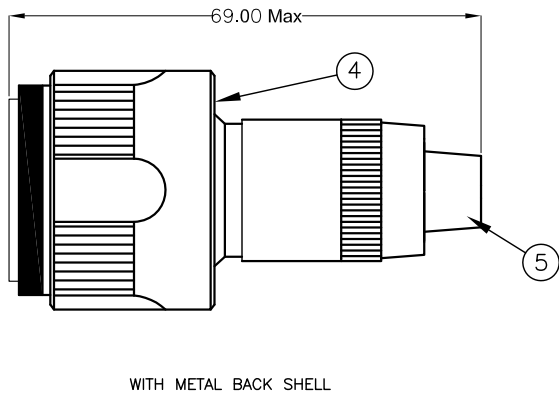
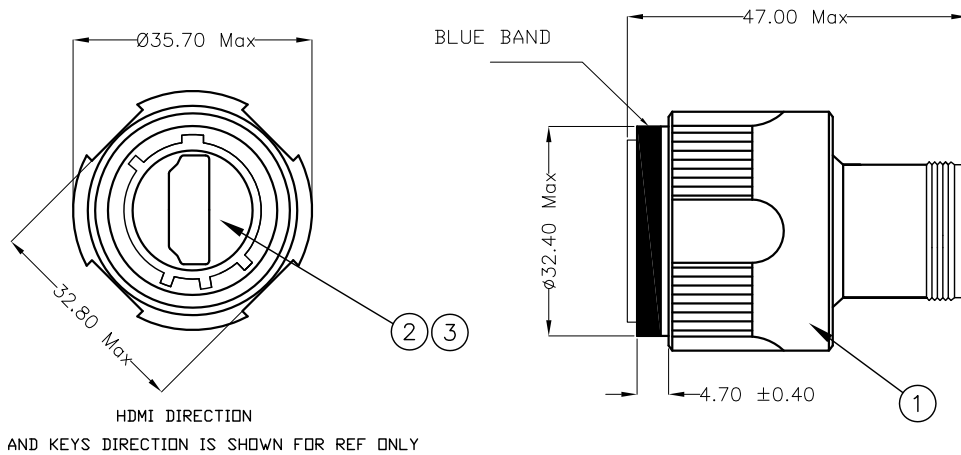
Voltage Rating 40V Max  
 Current Rating 0.5A  
 Insulation Resistance >100 MΩ

Environmental

Operating Temperature -20°C - +85°C  
 Salt Spray  
 Electroless Nickel 48 Hrs  
 Olive Drab Cadmium 500 Hrs  
 Zinc Nickel Black 500 Hrs  
 Humidity 21 Days @ 43°C & 98% Humidity  
 Sealing IP68 (Mated)

Data Transmission

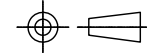
Up To 18Gbps



No.	Name	Material/Finish	Remarks
1	Shell	Aluminum	
2	Insert	Engineering Plastic	
3	Ring Seal	Silicone Rubber	
4	Lock Ring	Stainless Steel	
5	Grommet	Silicone Rubber	

UNLESS NOTED  
 TOLERANCES ARE:  
 .X ± 0.38  
 .XX ± 0.25  
 ANGLES ± 1°

THIRD ANGLE  
 PROJECTION



1170 S. PATTON ST.  
 XENIA, OHIO 45385  
 PH: (937) 374-2700  
 FX: (937) 374-2717

UNIT: mm	DRWN: RLM	THESE DRAWINGS AND SPECIFICATIONS ARE THE PROPERTY OF SPI AND SHALL NOT BE COPIED, USED OR RE-PRODUCED WITHOUT PERMISSION.	TITLE		
SCALE: NTS	DATE: 05/17/22		Commercial D38999 HDMI Plug		
	CHK'D: RLM		SPI P / N: SPI3826XXHDMIXX		REV: A
SHEET: 1 OF 1	APV'D: RLM		CUSTOMER P / N:		