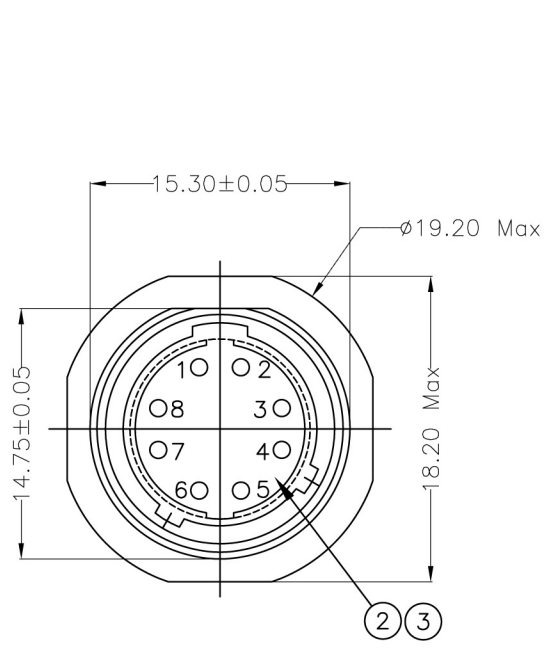
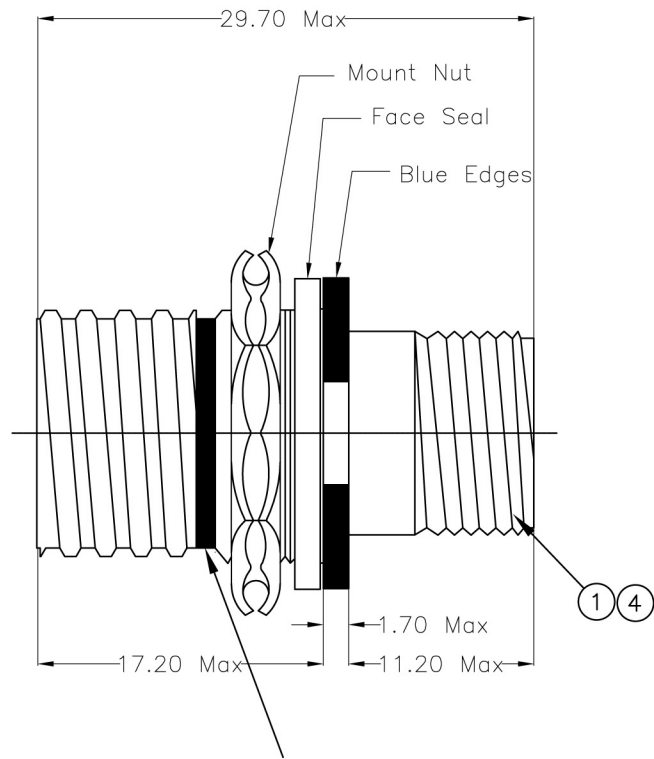


REVISIONS LIST				
REV	ECO #	DESCRIPTION	DATE	APV'D
	A	Initial Release		



Insert Shown as Pin Arrangement



Fully Mated Indicator Band - Red

SPECIFICATIONS

MECHANICAL

- Endurance: 250 Mating Cycles
- Contact Retention: 44 N (Min)
- Insert Retention: 110 N
- Vibration (Sine): 10 to 2000 Hz, 20g
- Vibration (Random): 40 to 2000 Hz, 46.3g
- Mechanical Shock: 300g , 3ms

ELECTRICAL

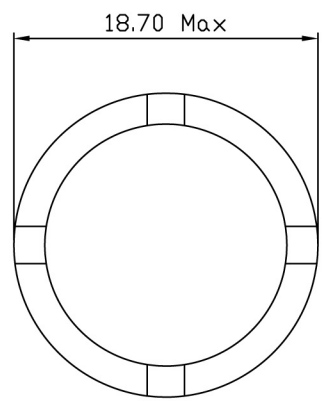
- Dielectric Withstanding Voltage: 1000 Vrms/ 500Vrms @ 70,000 ft
- Current Rating: 3 Amp/contact
- Insulation Resistance: 500MΩ @ 500 Vdc

ENVIRONMENTAL

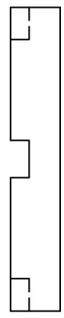
- Operating Temp: -55°C TO + 150°C
- Sealing: 70,000 ft altitude immersion IP67 (mated)
- Salt Spray: 96 hr (Olive Drab Cadmium), 48 hr (Electroless Nickel), 48 hr (Zinc Black)

FUNCTIONAL PARAMETERS

Achieves Gigabit Speed with Cat 6a or Cat 7 wire

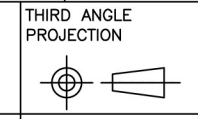


Optional Close Fit Mount Nut



No.	Name	Material	Finish
1	Shell & Mount Nut	Aluminum	Nickle Underplate
2	Insert	Engineering Plastic	Natural
3	Contact	Copper Alloy	2.54μm Ni - 1.27μm Au
4	Gaskets, Grommet & Interface Seals	Silicone or Fluorosilicone Elastomer	Natural

UNLESS NOTED TOLERANCES ARE:
.X ± 0.38
.XX ± 0.25
ANGLES ± 1°



1170 S. PATTON ST.
XENIA, OHIO 45385
PH: (937) 374-2700
FX: (937) 374-2717

UNIT: mm	DRWN: RLM	THESE DRAWINGS AND SPECIFICATIONS ARE THE PROPERTY OF SPT AND SHALL NOT BE COPIED, USED OR RE-PRODUCED WITHOUT PERMISSION.	TITLE NanoCat Jam Nut Receptacle	
SCALE: NTS	DATE: 10/25/16		S P I P / N : SPI3874XCATXXXX	
	CHK'D: RLM		R E V : A	
SHEET: 1 OF 1	APV'D: RLM		C U S T O M E R P / N :	