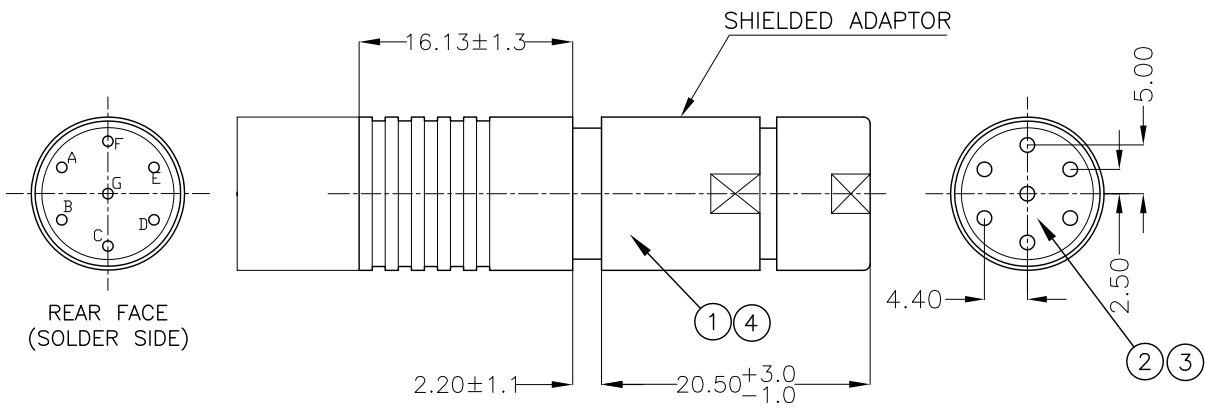


REVISIONS LIST				
REV	ECO #	DESCRIPTION	DATE	APV'D
A		Initial Release		

SPECIFICATIONS

<u>Mechanical</u>		
Durability		1000 Cycles
<u>Electrical</u>		
Current Rating		
Individual Contact		3.0A
All Contacts Simultaneously		1.0A
Voltage Rating		115 VAC
Dielectric Withstanding Voltage (@SL)		500VAC
Insulation Resistance (500VDC @SL)		1GΩ
Contact Resistance		
Initially		5MΩ
After Conditioning		10MΩ
Shell-To-Shell Conductivity		
Initially		5MΩ
After Conditioning		10MΩ
<u>Environmental</u>		
Operating Temperature		-55°C - +85°C
Vibration		Per MIL-DTL-26482
Shock		Per MIL-DTL-26482
Fluids		Per MIL-DTL-26482
Sealing		IP67 (Mated)
Salt Spray (48 hrs)		Electroless Nickel (F) Black Zinc Cobalt (Z)



No.	Name	Material	Finish
1	Shell	Brass	Nickel Underplate
2	Insert	Engineering Plastic	Natural
3	Contact	Brass	Gold Flash Over Nickel Underplate
4	Seals	Engineering Plastic	Natural

UNLESS NOTED TOLERANCES ARE: .X ± 0.38 .XX ± 0.25 ANGLES ± 1°	THIRD ANGLE PROJECTION 	 1170 S. PATTON ST. XENIA, OHIO 45385 PH: (937) 374-2700 FX: (937) 374-2717
--	----------------------------	---

UNIT : mm	DRWN : RLM	THESE DRAWINGS AND SPECIFICATIONS ARE THE PROPERTY OF SPI AND SHALL NOT BE COPIED, USED OR RE-PRODUCED WITHOUT PERMISSION.	TITLE Nano Push-Pull Plug	
SCALE : NTS	DATE : 08/01/17		SPI P / N : SPI3896X57PX	
	CHK'D : RLM		REV : A	
SHEET : 1 OF 1	APV'D : RLM		CUSTOMER P / N :	