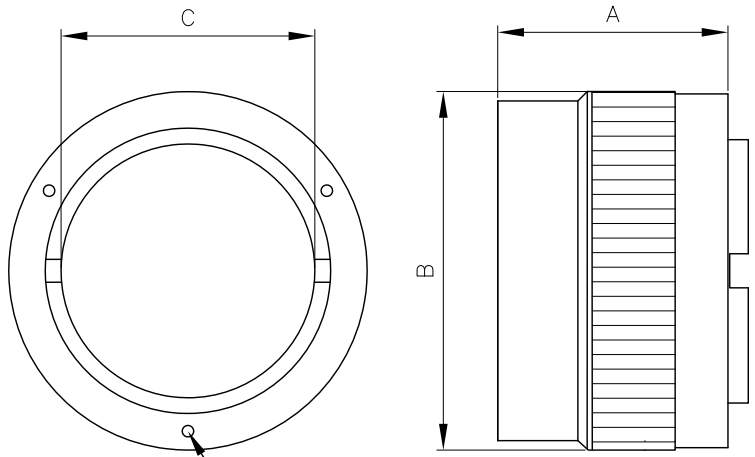


REVISIONS LIST				
REV	ECO #	DESCRIPTION	DATE	APV'D
A		Initial Release		

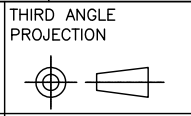


"-" CONFIGURATION ONLY
3 EQUALLY SPACED SAFETY WIRE HOLES

Dash Number	S Configuration			- Configuration		
	A Max	B Max	C Max	A Max	B Max	C Max
8	18.03	22.48	6.86	13.72	15.67	6.86
10	18.03	25.65	9.53	13.72	18.64	9.53
12	18.03	28.83	12.98	13.72	21.79	12.98
14	18.03	32.00	14.86	13.72	24.99	14.86
16	18.03	35.18	18.03	13.72	28.24	18.03
18	18.03	38.35	20.05	13.72	30.94	20.05
20	18.03	41.53	23.22	13.72	34.16	23.22
22	18.03	44.70	26.39	13.72	37.29	26.39
24	18.03	47.88	29.31	13.72	40.46	29.31

No.	Name	Material/Finish	Remarks
1	Shell	Aluminum	
2	Fastners	Stainless Steel	Passivated

UNLESS NOTED TOLERANCES ARE:
.X ± 0.38
.XX ± 0.25
ANGLES ± 1°



1170 S. PATTON ST.
XENIA, OHIO 45385
PH: (937) 374-2700
FX: (937) 374-2717

UNIT: mm	DRWN: RLM	THESE DRAWINGS AND SPECIFICATIONS ARE THE PROPERTY OF SPI AND SHALL NOT BE COPIED, USED OR RE-PRODUCED WITHOUT PERMISSION.	TITLE	
SCALE: NTS	DATE: 08/30/21		Commercial Back Shell	
	CHK'D: TRH		SPI P / N : SPI85049/31XXX	REV: A
SHEET: 1 OF 1	APV'D: TRH		CUSTOMER P / N :	