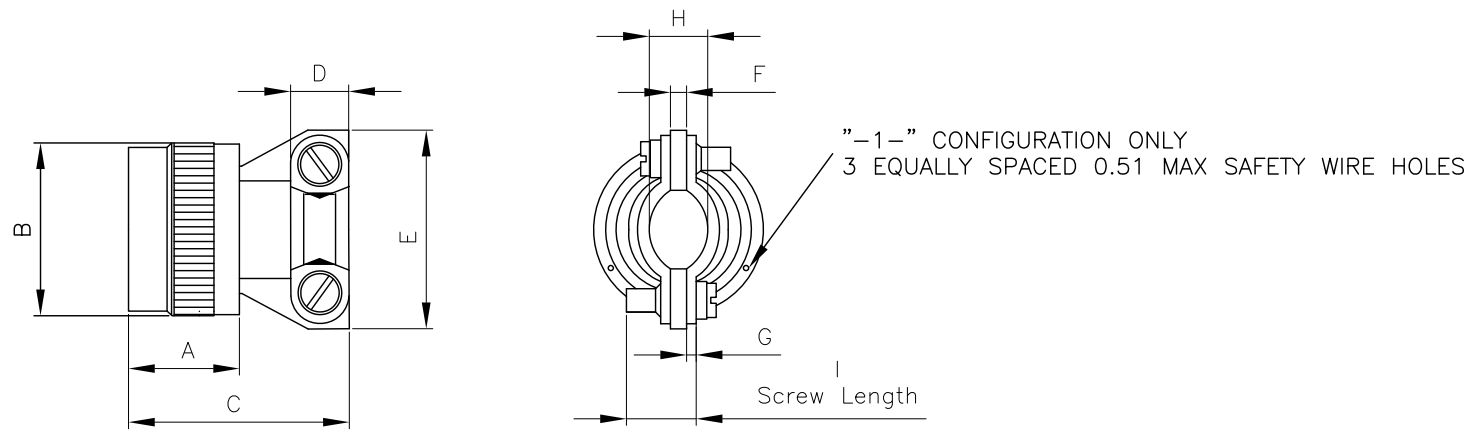


REVISIONS LIST				
REV	ECO #	DESCRIPTION	DATE	APV'D
A		Initial Release		



Dash Number	S Configuration			-1- Configuration			Both S & -1- Configurations							
	A	B	C	A	B	C	D	E	F	G	H		I	Screw Size
	Max	Max	Max	Max	Max	±1.57	±0.50	Max	Max	Max	Min	Max	0.0/-1.57	
8	18.03	22.48	26.42	13.72	15.67	22.61	6.35	19.86	3.68	3.56	3.18	5.18	12.70	6-32
10	18.03	25.65	29.46	13.72	18.64	25.40	6.35	21.89	3.68	3.56	4.75	7.26	12.70	6-32
12	18.03	28.83	32.77	13.72	21.79	28.58	6.35	25.48	3.68	3.56	7.39	10.57	15.88	6-32
14	18.03	32.00	32.77	13.72	24.99	28.58	6.35	26.95	3.68	3.56	8.92	12.09	15.88	6-32
16	18.03	35.18	35.81	13.72	28.24	31.75	6.35	33.88	3.68	3.56	12.73	15.88	15.88	6-32
18	18.03	38.35	42.16	13.72	30.94	38.10	9.53	37.24	4.47	4.34	13.16	17.93	19.05	8-32
20	18.03	41.53	45.47	13.72	34.16	41.28	9.53	39.93	4.47	4.34	14.76	21.11	22.23	8-32
22	18.03	44.70	48.51	13.72	37.29	44.45	9.53	42.88	4.47	4.34	16.36	24.28	25.40	8-32
24	18.03	47.88	51.82	13.72	40.46	47.63	9.53	45.47	5.28	4.34	17.93	27.46	28.58	8-32

No.	Name	Material/Finish	Remarks
1	Shell	Aluminum	
2	Fastners	Stainless Steel	Passivated

UNLESS NOTED TOLERANCES ARE: .X ± 0.38 .XX ± 0.25 ANGLES ± 1°	THIRD ANGLE PROJECTION 		1170 S. PATTON ST. XENIA, OHIO 45385 PH: (937) 374-2700 FX: (937) 374-2717
------------------------------------------------------------------------	----------------------------	--	-------------------------------------------------------------------------------------

UNIT: mm	DRWN: RLM	THESE DRAWINGS AND SPECIFICATIONS ARE THE PROPERTY OF SPI AND SHALL NOT BE COPIED, USED OR RE-PRODUCED WITHOUT PERMISSION.	TITLE		
SCALE: NTS	DATE: 08/30/21		Commercial Back Shell		
	CHK'D: TRH		SPI P / N : SPI85049/52XXX		REV: A
SHEET: 1 OF 1	APV'D: TRH		CUSTOMER P / N :		