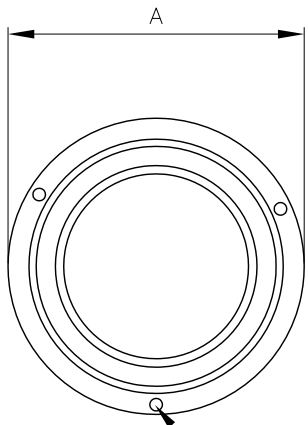
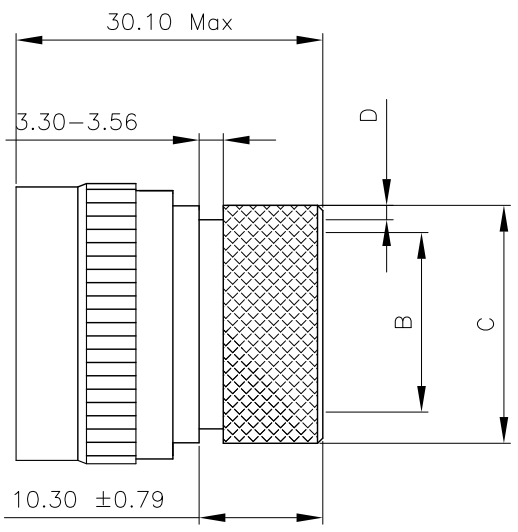


REVISIONS LIST				
REV	ECO #	DESCRIPTION	DATE	APV'D
A		Initial Release		



3 EQUALLY SPACED 0.51  
MAX SAFETY WIRE HOLES

Dash Number	A	B	C	D
	0.0/ -1.14	Min	0.0/ -0.51	+0.20 /0.0
8	15.70	6.40	13.50	1.10
10	18.60	9.00	15.40	1.10
12	21.80	12.50	19.70	1.10
14	25.00	14.40	21.30	1.10
16	28.20	17.50	24.50	1.10
18	30.90	19.50	26.50	1.10
20	34.20	22.70	30.90	1.80
22	37.30	25.90	34.40	1.80
24	40.50	28.80	36.70	1.80

No.	Name	Material/Finish	Remarks
1	Shell	Aluminum	
2	Fastners	Stainless Steel	Passivated

UNLESS NOTED TOLERANCES ARE: .X ± 0.38 .XX ± 0.25 ANGLES ± 1°	THIRD ANGLE PROJECTION 		1170 S. PATTON ST. XENIA, OHIO 45385 PH: (937) 374-2700 FX: (937) 374-2717
---	-------------------------------	--	---

UNIT: mm	DRWN: RLM	THESE DRAWINGS AND SPECIFICATIONS ARE THE PROPERTY OF SPI AND SHALL NOT BE COPIED, USED OR RE-PRODUCED WITHOUT PERMISSION.	TITLE	
SCALE: NTS	DATE: 08/30/21		Commercial Back Shell	
	CHK'D: TRH		S P I P / N : SPI85049/60-1XXX	
SHEET: 1 OF 1	APV'D: TRH		REV: A	
		CUSTOMER P / N :		