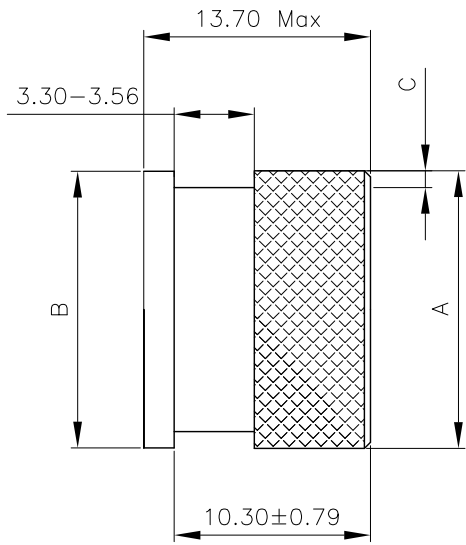


| REVISIONS LIST |       |                 |      |       |
|----------------|-------|-----------------|------|-------|
| REV            | ECO # | DESCRIPTION     | DATE | APV'D |
| A              |       | Initial Release |      |       |



| Dash Number | A             | B             | C             |
|-------------|---------------|---------------|---------------|
|             | 0.0/<br>-1.14 | 0.0/<br>-0.51 | +0.20<br>/0.0 |
| 8           | 17.50         | 16.70         | 1.10          |
| 10          | 20.40         | 19.70         | 1.10          |
| 12          | 23.80         | 22.80         | 1.10          |
| 14          | 27.00         | 26.00         | 1.10          |
| 16          | 31.40         | 29.30         | 1.10          |
| 18          | 33.30         | 31.60         | 1.10          |
| 20          | 36.50         | 34.80         | 1.80          |
| 22          | 39.60         | 36.70         | 1.80          |
| 24          | 42.80         | 41.10         | 1.80          |

| No. | Name     | Material/Finish | Remarks    |
|-----|----------|-----------------|------------|
| 1   | Shell    | Aluminum        |            |
| 2   | Fastners | Stainless Steel | Passivated |

|  |                            |  |
|--|----------------------------|--|
| UNLESS NOTED TOLERANCES ARE:<br>.X ± 0.38<br>.XX ± 0.25<br>ANGLES ± 1° | THIRD ANGLE PROJECTION<br> | <br>170 S. PATTON ST.<br>XENIA, OHIO 45385<br>PH: (937) 374-2700<br>FX: (937) 374-2717 |
|--|----------------------------|--|

|               |                |   |                                 |  |
|---------------|----------------|---|---------------------------------|--|
| UNIT: mm      | DRWN: RLM      | THESE DRAWINGS AND SPECIFICATIONS ARE THE PROPERTY OF  AND SHALL NOT BE COPIED, USED OR RE-PRODUCED WITHOUT PERMISSION. | TITLE<br>Commercial Back Shell  |  |
| SCALE: NTS    | DATE: 08/30/21 |   | S P I P / N : SPI85049/60-2GXXX |  |
|               | CHK'D: TRH     |   | R E V : A                       |  |
| SHEET: 1 OF 1 | APV'D: TRH     |   | C U S T O M E R P / N :         |  |