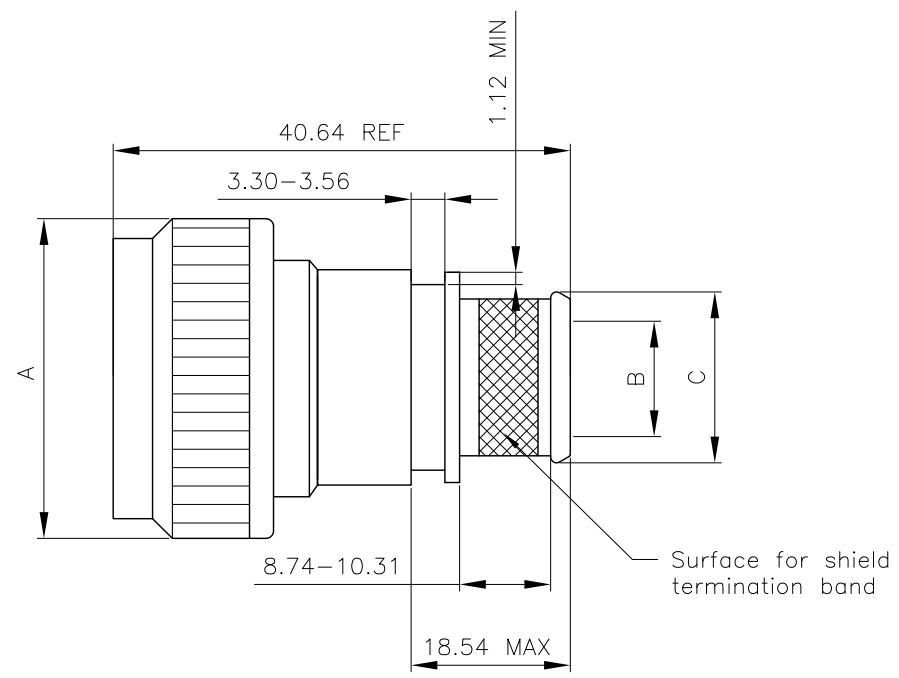


REVISIONS LIST				
REV	ECO #	DESCRIPTION	DATE	APV'D
A		Initial Release		



Shell Size	A Max	B		C	
		+0.64/-0.25		Ref	
		Entry Size			
		02	03	02	03
9	21.80	N/A	6.40	N/A	10.00
11	25.00	N/A	7.90	N/A	11.60
13	29.40	7.90	11.10	11.60	14.80
15	32.50	11.10	14.30	14.80	18.00
17	35.70	12.70	15.90	16.40	19.60
19	38.50	15.90	19.10	19.60	22.70
21	41.70	15.90	20.60	19.60	24.30
23	44.90	17.50	23.80	21.10	27.50
25	48.00	19.10	25.40	22.70	29.10

No.	Name	Material/Finish	Remarks
1	Shell	Aluminum	
2	Fastners	Stainless Steel	Passivated

UNLESS NOTED TOLERANCES ARE: .X ± 0.38 .XX ± 0.25 ANGLES ± 1°	THIRD ANGLE PROJECTION 		1170 S. PATTON ST. XENIA, OHIO 45385 PH: (937) 374-2700 FX: (937) 374-2717
--	---	---	---

UNIT: mm	DRWN: RLM	THESE DRAWINGS AND SPECIFICATIONS ARE THE PROPERTY OF SPI AND SHALL NOT BE COPIED, USED OR RE-PRODUCED WITHOUT PERMISSION.	TITLE		
SCALE: NTS	DATE: 08/30/21		Commercial Back Shell		
	CHK'D: TRH		SPI P / N : SPI85049/88-XXX		REV: A
SHEET: 1 OF 1	APV'D: TRH		CUSTOMER P / N :		