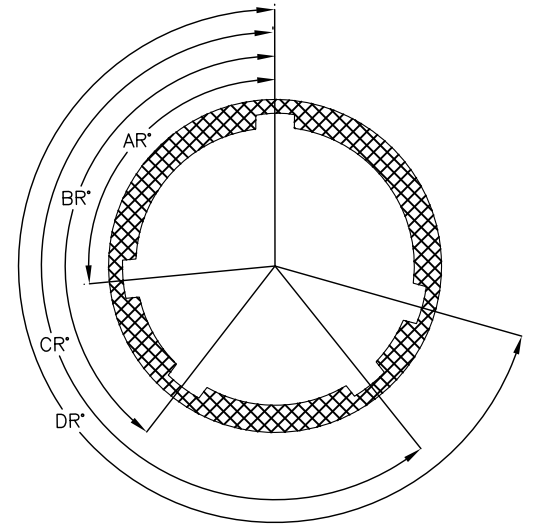


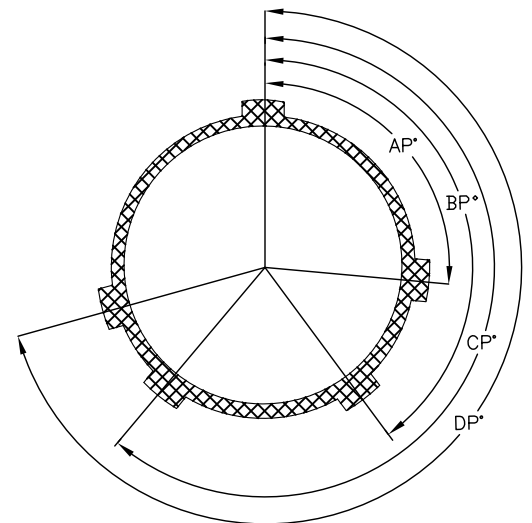


# Key/Keyway Polarization

Shell Size	Key & Keyway Polarization Identification Letter	Minor Key/Keyway Rotation			
		AR* or AP*	BR* or BP*	CR* or CP*	DR* or DP*
9	N	105	140	215	265
	A	102	132	248	320
	B	80	118	230	312
	C	35	140	205	275
	D	64	155	234	304
11, 13, and 15	N	95	141	208	236
	A	113	156	182	292
	B	90	145	195	252
	C	53	156	220	255
	D	119	146	176	298
17, and 19	N	80	142	196	293
	A	135	170	200	310
	B	49	169	200	244
	C	66	140	200	257
	D	62	145	180	280
21, 23, and 25	N	80	142	196	293
	A	135	170	200	310
	B	49	169	200	244
	C	66	140	200	257
	D	62	145	180	280
	E	79	153	197	272



Receptacles



Plug

For alternate polarizations A through E, the main key/keyway remains fixed, and the minor keys/keyways rotate.