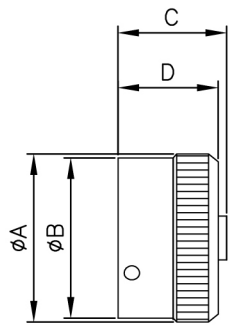
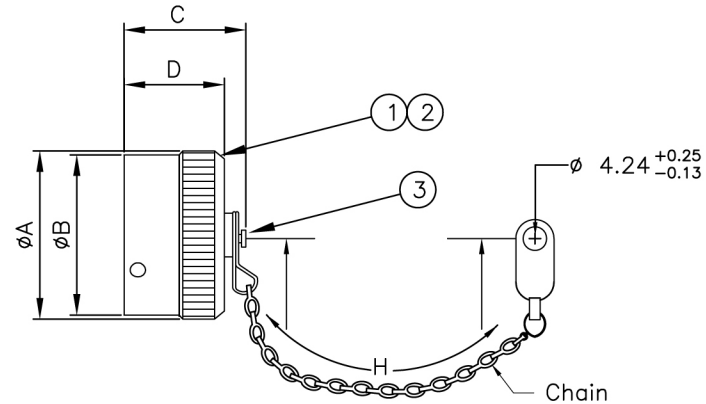


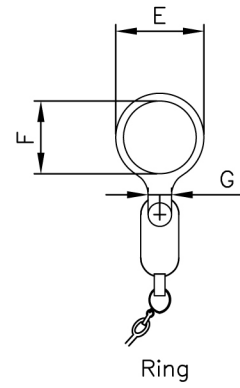
REVISIONS LIST				
REV	ECO #	DESCRIPTION	DATE	APV'D
A		Initial Release		
B		Added Style "A"	8/19/13	RLM



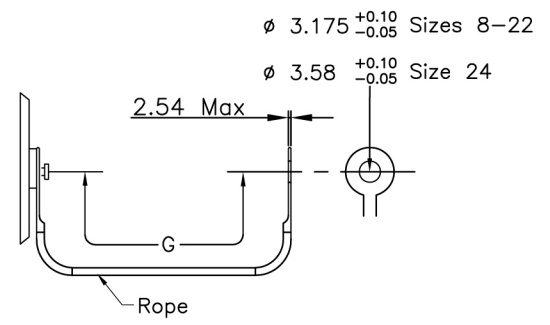
Style "A"



Style "C"



Style "N"

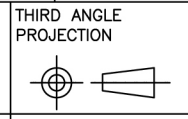


Style "R"

Shell Size	øA MAX	øB MAX	C MAX	D MAX	E MAX	F MIN	G MIN	H +12.7 /-6.35
8	19.05	16.00	20.82	14.47	30.98	22.60	5.84	76.20
10	21.82	19.32	20.82	14.47	36.06	25.65	5.84	76.20
12	26.18	23.77	20.82	14.47	39.37	28.95	5.84	88.90
14	29.36	27.27	20.82	14.47	42.67	32.00	5.84	88.90
16	32.53	29.76	20.82	14.47	45.72	35.30	5.84	88.90
18	35.71	33.12	20.82	14.47	48.76	38.35	5.84	88.90
20	38.88	36.44	20.82	14.47	52.07	41.65	5.84	101.60
22	41.68	39.62	20.82	14.47	55.37	44.70	5.84	101.60
24	44.85	42.87	20.82	14.47	58.42	48.00	5.84	101.60

No.	Name	Material/Finish	Remarks
1	Shell	Aluminum	
2	Seal	Silicone Rubber	
3	Fastener	Stainless Steel	
	Chord	7 Strand Stainless Steel	
	Chain	Stainless Steel	
	Ring	Stainless Steel	

UNLESS NOTED TOLERANCES ARE:
.X ± 0.38
.XX ± 0.25
ANGLES ± 1°



1170 S. PATTON ST.
XENIA, OHIO 45385
PH: (937) 374-2700
FX: (937) 374-2717

UNIT: mm	DRWN: RLM
SCALE: NTS	DATE: 01/24/13
	CHK'D: TRH
SHEET: 1 OF 1	APV'D: TRH

THESE DRAWINGS AND SPECIFICATIONS ARE THE PROPERTY OF SPI AND SHALL NOT BE COPIED, USED OR RE-PRODUCED WITHOUT PERMISSION.

TITLE 38999 Series II Receptacle Protective Cover	
SPI P/N: MS27511XXXX	REV: B
CUSTOMER P/N: MS27511XXXX	