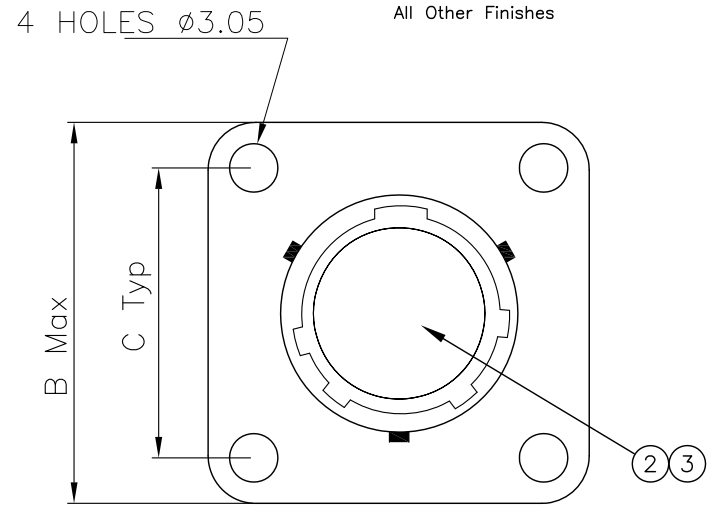
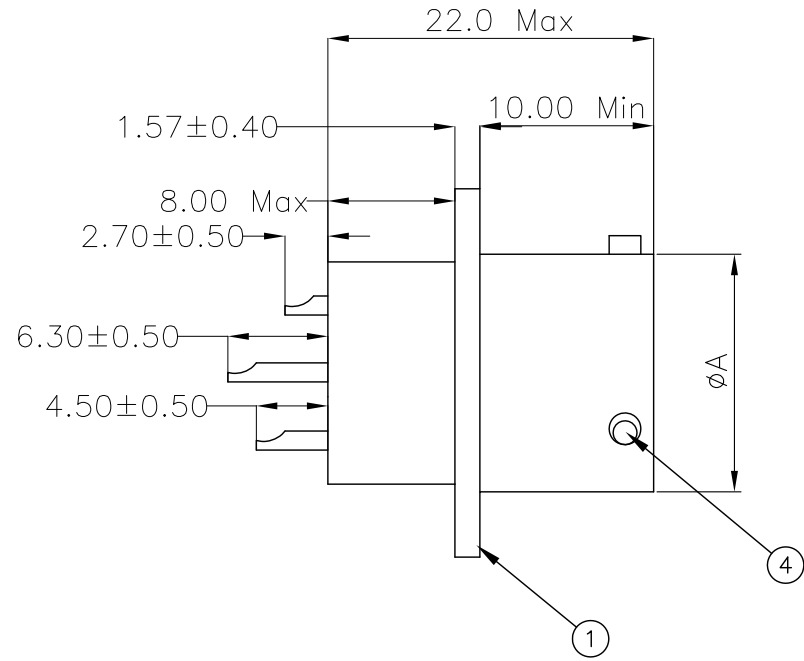


REVISIONS LIST				
REV	ECO #	DESCRIPTION	DATE	APV'D
A		Initial Release		

SPECIFICATIONS

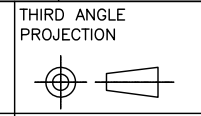
<u>Mechanical</u>	
Durability	500 Cycles
<u>Electrical</u>	
Current Rating (Max)	5.0A
22 Gauge	
Insulation Resistance (@500 VDC)	>5000 MΩ
(25°C)	
<u>Environmental</u>	
Operating Temperature	-65°C - +175°C
Salt Spray	
Cadmium Olive Drab	96 Hrs
All Other Finishes	48 Hrs



Shell Size	A Max	B MAX	C TYP
8	12.03	21.03	15.09
10	15.01	24.23	18.26
12	19.07	26.59	20.62
14	22.25	28.98	23.01

No.	Name	Material/Finish	Remarks
1	Shell	Aluminum	
2	Insert	Thermoplastic	
3	Contact	Copper Alloy	Ni 100μ" - Au Flash
4	Locking Post	Stainless Steel	

UNLESS NOTED TOLERANCES ARE:
.X ± 0.38
.XX ± 0.25
ANGLES ± 1°



1170 S. PATTON ST.
XENIA, OHIO 45385
PH: (937) 374-2700
FX: (937) 374-2717

UNIT: mm	DRWN: RLM	THESE DRAWINGS AND SPECIFICATIONS ARE THE PROPERTY OF SPI AND SHALL NOT BE COPIED, USED OR RE-PRODUCED WITHOUT PERMISSION.	TITLE 26482 High Density Box Mount Receptacle	
SCALE: NTS	DATE: 12/15/17		S P I P / N : SPI12EXX-XXX-XX	
	CHK'D: RLM		REV: A	
SHEET: 1 OF 1	APV'D: RLM		CUSTOMER P / N:	